

NuStep[®] T5/T5^{XR}

Recumbent Cross Trainer

SERVICE PARTS MANUAL

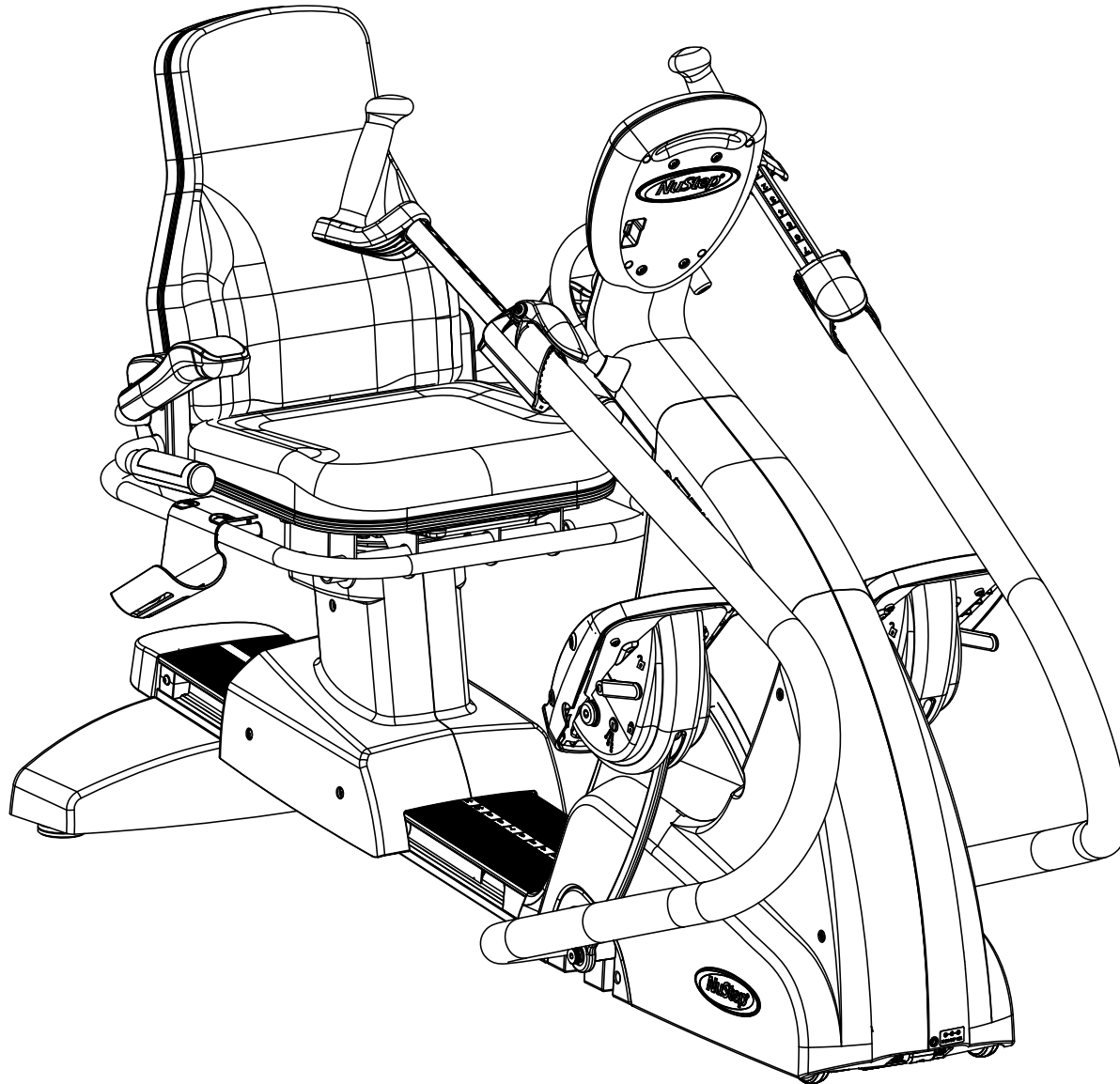


Transforming Lives[®]

Contents

T5XR Assembled View	5
Console Group Figure 1	6
Console Group Figure 2	7
Front End Group Figure 1	8
Front End Group Figure 2	9
Front End Group Figure 3 - Frame (Serial Number \leq 101792)	10
Front End Group Figure 4 - Frame (Serial Number \geq 101793)	11
Front End Group Figure 5	12
Front End Group Figure 6	13
Arms Group Figure 1	14
Arms Group Figure 2	15
Foot Pedal Group Figure 1	16
Foot Pedal Group Figure 2 - T5	17
Foot Pedal Group Figure 3 - T5XR	18
Rear End Group	19
Seat Group Figure 1	20
Seat Group Figure 2 - T5 Seat	21
Seat Group Figure 3 - T5XR Seat	22
Seat Group Figure 4 - T5XR Wide Seat	23
Seat Group Figure 5 - Seat Trolley	24
Seat Group Figure 6 - T5 Seat	25
Seat Group Figure 7 - T5XR Seat	26
Seat Group Figure 8 - T5XR Wide Seat	27
Seat Group Figure 9 - Contact Heart Rate (Serial Number \leq 109237)	28
Electronics Cable Diagram	29

T5XR Assembled View



TITLE: T5 & T5XR
PARTS MANUAL

DWG. NO.
51461

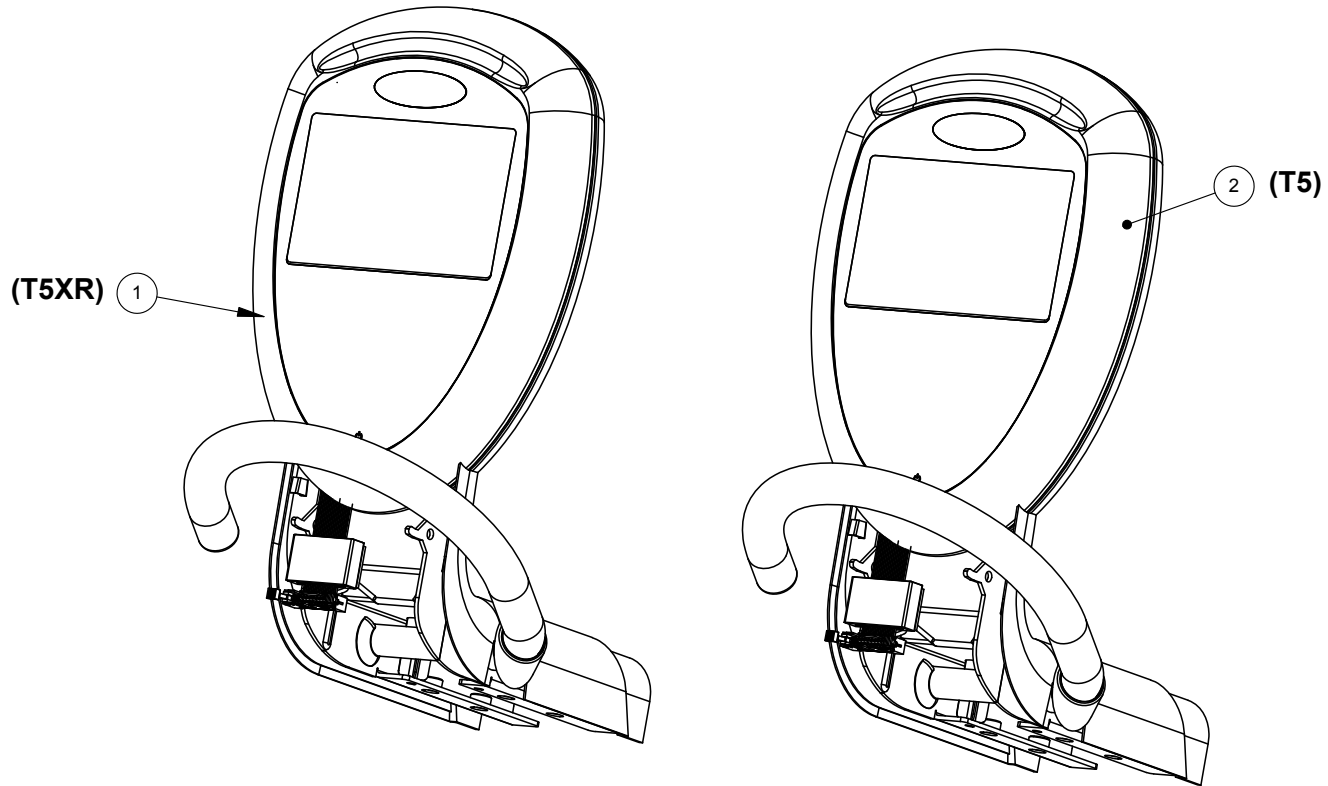
REV
C

APP
RAF

RELEASE DATE
7/11/16

Console Group Figure 1

ITEM NO.	PART NUMBER	DESCRIPTION	QTY.
1	56004	Service Kit - Console MTG Assembly - T5XR	1
2	56005	Service Kit - Console MTG Assembly - T5	1



SERVICE KITS MAY INCLUDE INSTRUCTIONS AND TOOLS



TITLE: T5 & T5XR PARTS MANUAL
CONSOLE GROUP

DWG. NO.
51375

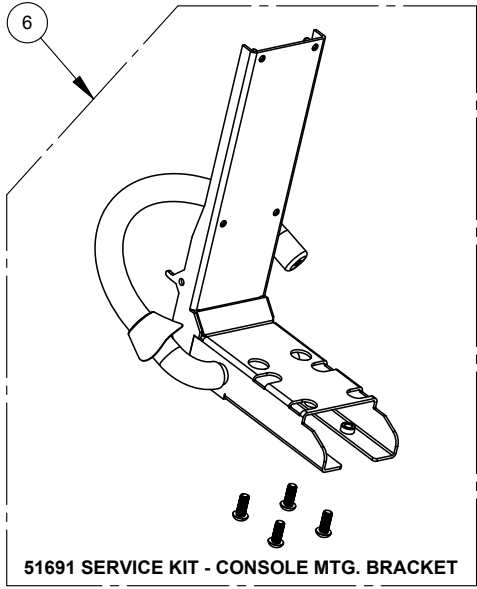
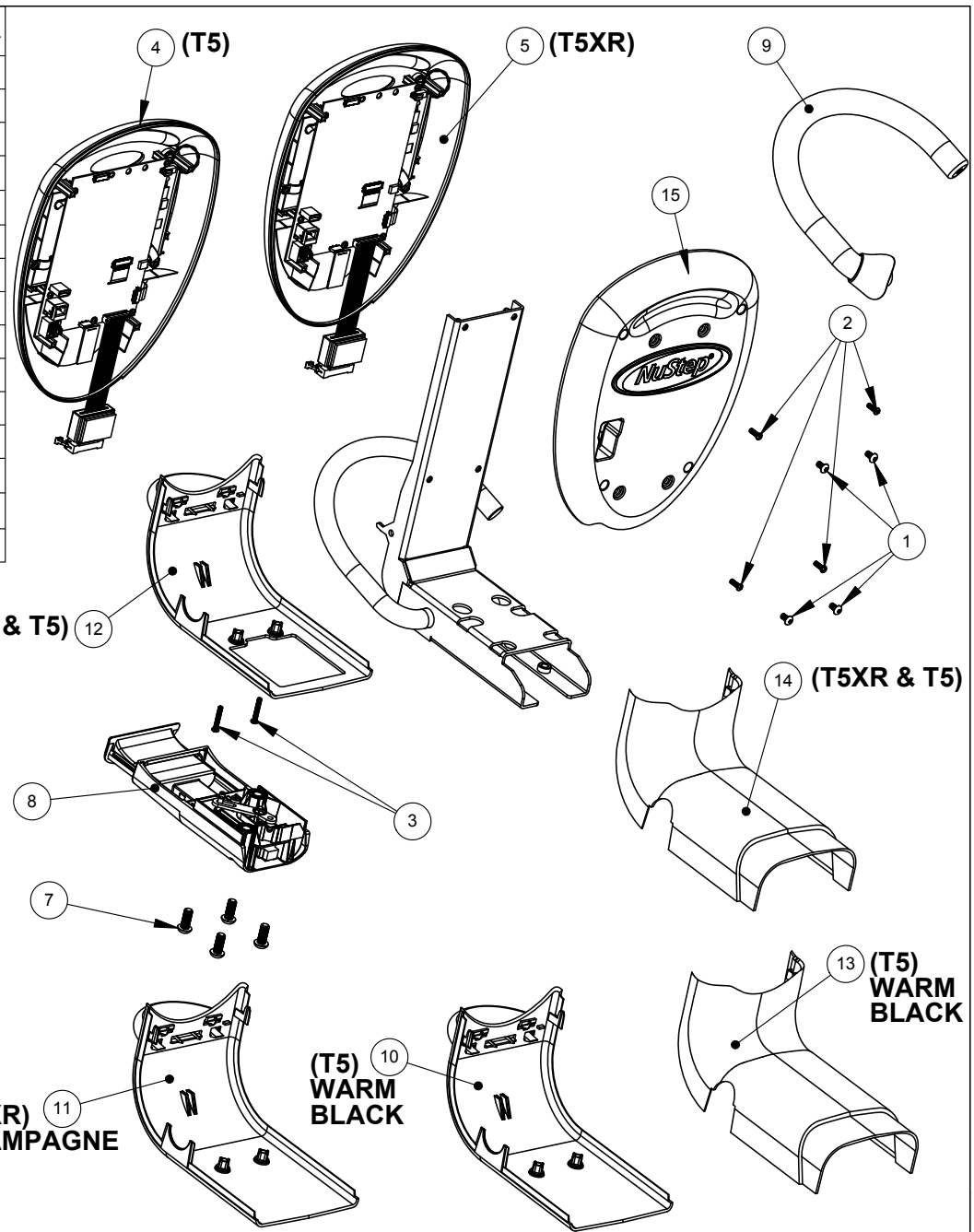
REV
C

APP
RAF

RELEASE DATE
7/11/16

Console Group Figure 2

ITEM NO.	PART NUMBER	DESCRIPTION	QTY.
1	50697	Screw - BHSC, M5x0.8x10, Hex, SS	4
2	50728	Screw-HiLo, #8-18x.50	4
3	50731	Screw-HiLo, #8-18x1.0	2
4	51522	Service Kit - Console Front Half - T5 Configured	1
5	51523	Service Kit - Console Front Half - T5XR Configured	1
6	51691	Service Assembly - Console Mtg. Bracket	1
7	51805	Screw - BHSC, M8x1.25x20, Class 10.9, Hex, Black, Patched	4
8	51894	Service Kit - StrideLock Push Button Assembly, T5 SN >109968	1
9	56006	Service Kit - Grab Ring Grip SN >107174	1
10	56007	Service Kit - Front Console Neck Cover - T5 SN < 109969	1
11	56008	Service Kit - Front Console Neck Cover - T5XR < 109969	1
12	56009	Service Kit - Front Console Neck Cover - T5 & T5XR > 109968	1
13	56010	Service Kit - Rear Console Neck Cover - T5 < 109969	1
14	56011	Service Kit - Rear Console Neck Cover - T5 SN > 109968 - All T5XR	1
15	56012	Service Kit - Console Rear Half - T5 & T5XR	1



UNITS WITH SN BELOW 107174 MUST ORDER ITEM #6 FOR GRAB RING GRIP REPLACEMENT

SERVICE KITS MAY INCLUDE INSTRUCTIONS AND TOOLS



TITLE: T5 & T5XR PARTS MANUAL
CONSOLE GROUP

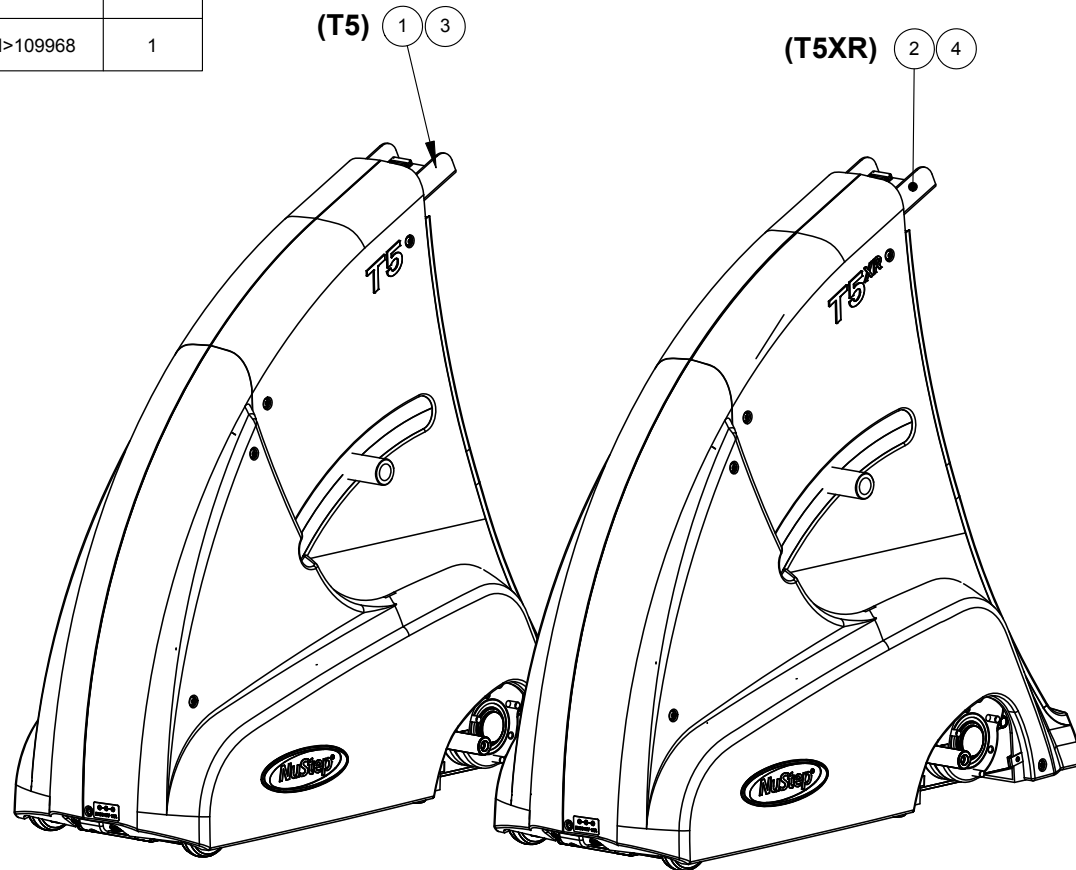
DWG. NO. 51376

REV C
APP RAF
RELEASE DATE 7/11/16

Front End Group Figure 1

ITEM NO.	PART NUMBER	DESCRIPTION	QTY.
1	56087	Service Kit - T5 Front End - SN<109969	1
2	56088	Service Kit - T5XR Front End - SN <109969	1
3	56089	Service Kit - T5 Front End - SN>109968	1
4	56090	Service Kit - T5XR Front End - SN>109968	1

**SERVICE KITS 56087 & 56088 REQUIRE REPLACEMENT OF CONSOLE FRONT HALF
SEE CONSOLE GROUP FIGURE #2, FOR APPROPRIATE SERVICE KIT PART NUMBERS**



**SERVICE KITS MAY CONTAIN
INSTRUCTIONS AND TOOLS**



TITLE: T5 & T5XR PARTS MANUAL
FRONT END GROUP

DWG. NO.
51393

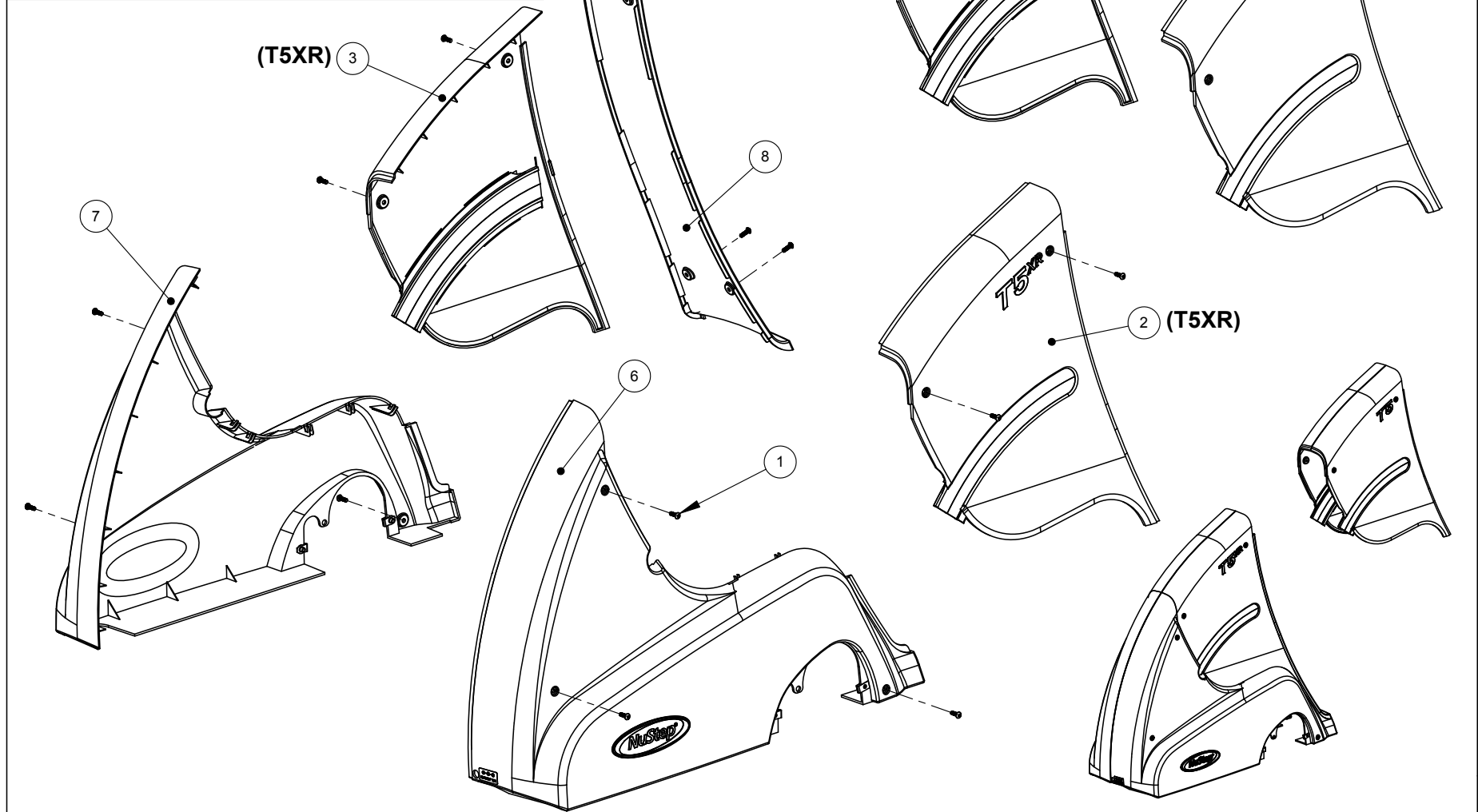
REV
C

APP
RAF

RELEASE DATE
7/11/16

Front End Group Figure 2

ITEM NO.	PART NUMBER	DESCRIPTION	QTY.
1	50704	Screw - BHSC, M5x0.8px16, Hex, SS	14
2	51386	Service Kit - Cover, Front Upper T5XR, LH	1
3	51387	Service Kit - Cover, Front Upper, T5XR, RH	1
4	51388	Service Kit - Cover, Front Upper T5, LH	1
5	51389	Service Kit - Cover, Front Upper, T5, RH	1
6	51390	Service Kit - Cover, Front Lower, T5 & T5XR, LH	1
7	51391	Service Kit - Cover, Front Lower, T5 & T5XR, RH	1
8	56003	Service Kit - Front End Trim Cover - T5 & T5XR	1



SERVICE KITS MAY INCLUDE INSTRUCTIONS AND TOOLS



TITLE: T5 & T5XR PARTS MANUAL
FRONT END GROUP

DWG. NO.
51394

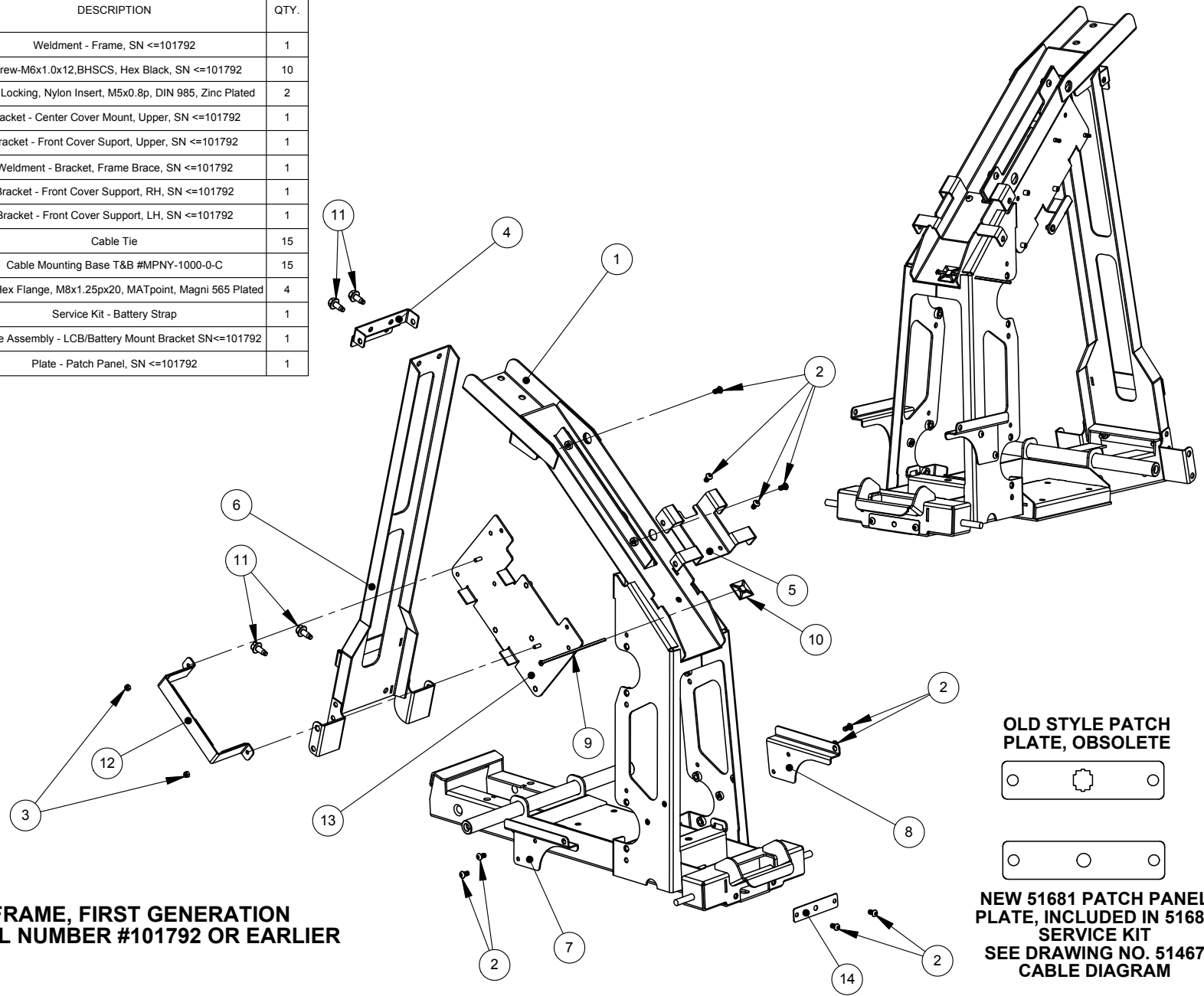
REV
C

APP
RAF

RELEASE DATE
7/11/16

Front End Group Figure 3 - Frame (Serial Number ≤ 101792)

ITEM NO.	PART NUMBER	REV.	DESCRIPTION	QTY.
1	50465	M	Weldment - Frame, SN ≤101792	1
2	50603		Screw-M6x1.0x12,BHSCS, Hex Black, SN ≤101792	10
3	50605		Nut - Locking, Nylon Insert, M5x0.8p, DIN 985, Zinc Plated	2
4	50631	B	Bracket - Center Cover Mount, Upper, SN ≤101792	1
5	50699	C	Bracket - Front Cover Suport, Upper, SN ≤101792	1
6	50700	E	Weldment - Bracket, Frame Brace, SN ≤101792	1
7	50701	A	Bracket - Front Cover Support, RH, SN ≤101792	1
8	50702	A	Bracket - Front Cover Support, LH, SN ≤101792	1
9	50881		Cable Tie	15
10	50884		Cable Mounting Base T&B #MPNY-1000-0-C	15
11	51426		Bolt - Hex Flange, M8x1.25px20, MATpoint, Magni 565 Plated	4
12	51469		Service Kit - Battery Strap	1
13	51470		Service Assembly - LCB/Battery Mount Bracket SN≤101792	1
14	51681	A	Plate - Patch Panel, SN ≤101792	1



TITLE: T5 & T5XR PARTS MANUAL
FRONT END GROUP

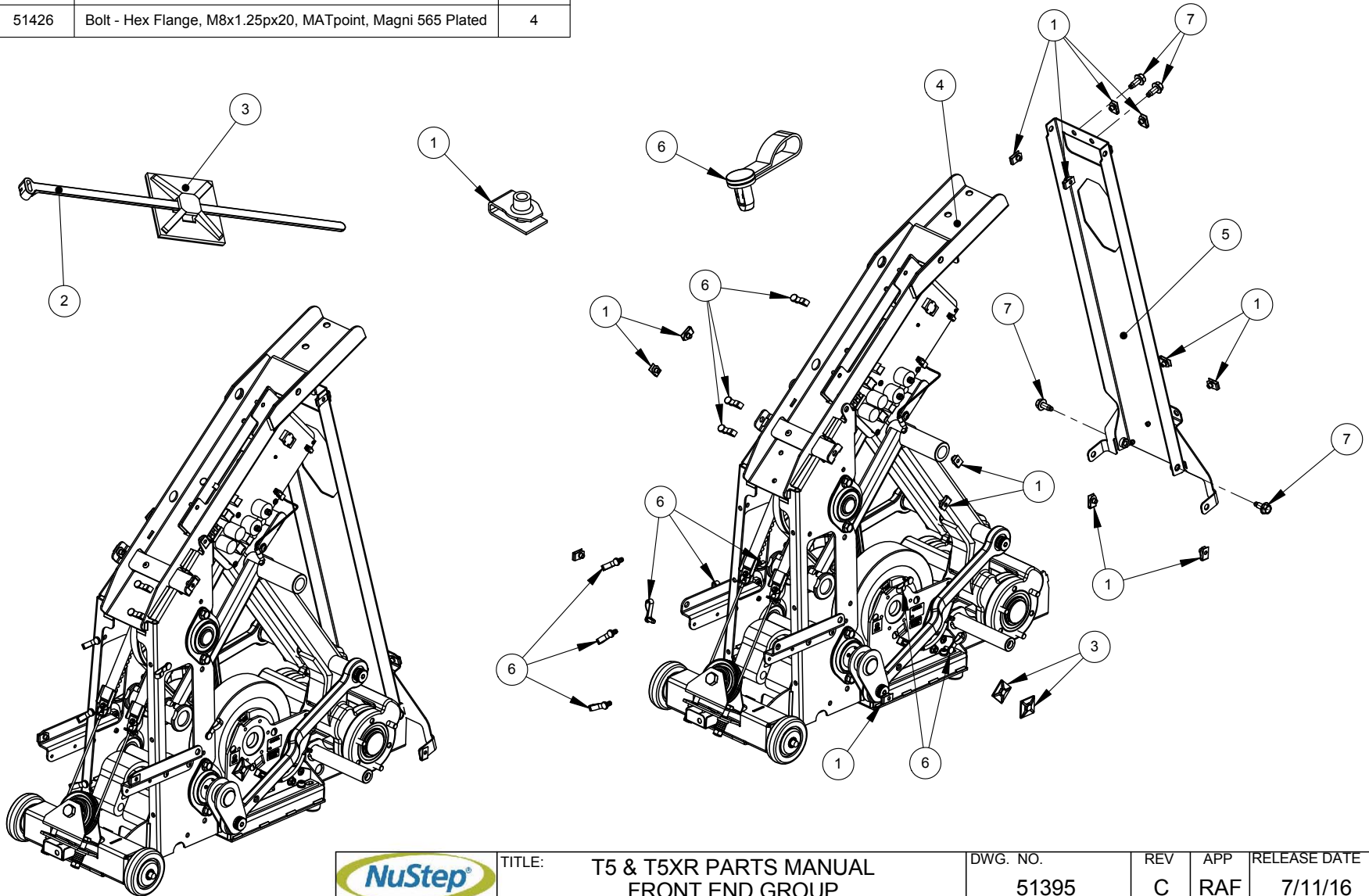
DWG. NO.
51396

REV	APP	RELEASE DATE
C	RAF	7/11/16

Front End Group Figure 4 - Frame (Serial Number ≥ 101793)

ITEM NO.	PART NUMBER	DESCRIPTION	QTY.
1	50670	ITW CIP N623331, U-Nut M5 x .8	14
2	50881	Cable Tie	2
3	50884	Cable Mounting Base T&B #MPNY-1000-0-C	2
4	51357	Assembly - Frame	1
5	51364	Assembly - Frame Brace	1
6	51366	Cable Hanger - Richco CH-2-01	11
7	51426	Bolt - Hex Flange, M8x1.25px20, MATpoint, Magni 565 Plated	4

**T5 & T5XR FRAME, SECOND GENERATION
UNIT SERIAL NUMBER #101793 OR GREATER**



TITLE: T5 & T5XR PARTS MANUAL
FRONT END GROUP

DWG. NO.
51395

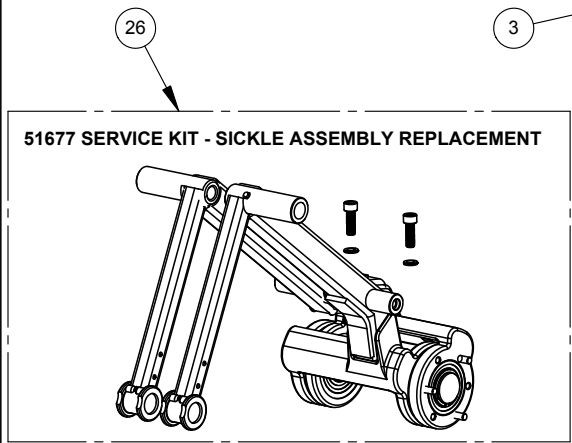
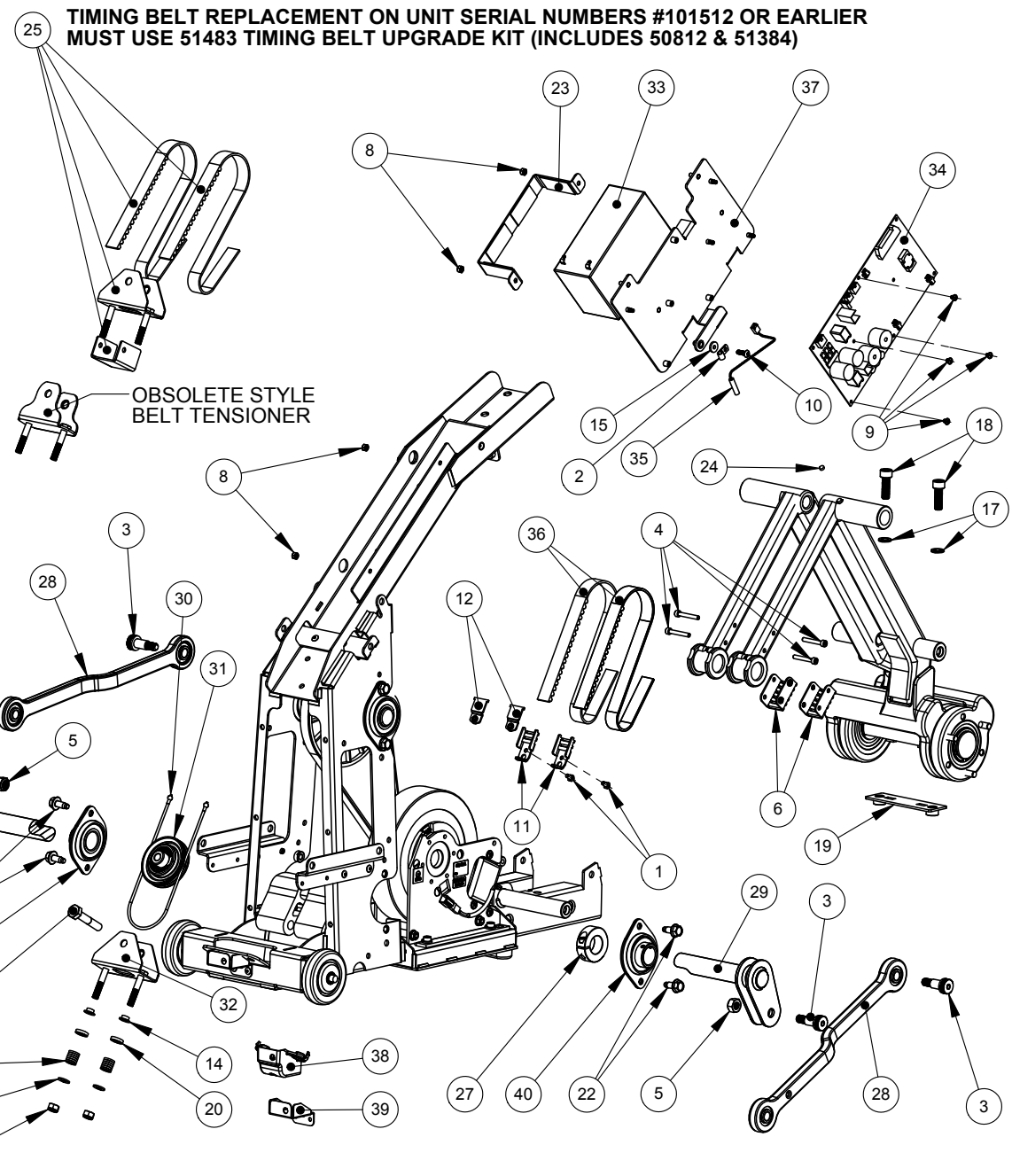
REV
C

APP
RAF

RELEASE DATE
7/11/16

Front End Group Figure 5

ITEM NO.	PART NUMBER	DESCRIPTION	QTY.
1	40368	Screw - HHTM, 10-32 x 5/16, 18-8 Stainless Steel	2
2	41118	Clamp - Step Sensor	1
3	50061	Screw, Shoulder - SHSS, 12MM x 20MM, Class 12.9, Patched	4
4	50155	Screw-SHCS, M5x0.8x35, Hex, Black	4
5	50417	Nut - Locking, Nylon Insert, M10x1.5, DIN 985, Zinc Plated	2
6	50480	Assembly - Belt Clamp	2
7	50546	Nut - Locking, Nylon Insert, M8x1.25, DIN 985, Zinc Plated	2
8	50605	Nut - Locking, Nylon Insert, M5x0.8p, DIN 985, Zinc Plated	4
9	50608	Screw - PHP, M4x0.7px5, Zinc Plated	4
10	50704	Screw - BHSC, M5x0.8px16, Hex, SS	1
11	50815	Clamp - Timing Belt, Bottom	2
12	50817	Assembly - Timing Belt Clamp, Top	2
13	50847	Washer M8, DIN 125	2
14	50887	Bushing - IGUS SN<=110821	2
15	50888	Washer - Cushioning	1
16	50940	Spring	2
17	50990	Washer - Pair, Nord Lock NL10, Zinc	2
18	50991	Screw - SHC, M10x1.5px30, Class 12.9, Hex, Black Oxide	2
19	50993	Assembly - Nut Plate, Main Pedal Shaft	1
20	50994	Washer - Spring Cup SN<=110821	2
21	51367	Bolt - Hex M10x1.5x55 Grade 10.9, Zinc	1
22	51426	Bolt - Hex Flange, M8x1.25px20, MATpoint, Magni 565 Plated	4
23	51469	Service Kit - Battery Strap	1
24	51473	Kit - Sensor Magnet Replacement	1
25	51483	Service Kit - Timing Belt Upgrade Kit SN<=101512	1
26	51677	Service Kit - Sickle Assembly Replacement	1
27	51767	Service Kit - Coupling	1
28	56030	Service Kit - Bilateral Connecting Link	2
29	56031	Service Kit - Bilateral Crank Pair Replacement	1
30	56032	Service Kit - Timing Cable	1
31	56033	Service Kit - Timing Pulley	1
32	56034	Service Kit - Timing Pulley Bracket	1
33	56035	Service Kit - Battery	1
34	56036	Service Kit - Load control Board	1
35	56037	Service Kit - Step Sensor Cable	1
36	56038	Service Kit - Timing Belts SN>=101513	1
37	56039	Service Kit - LCB/Battery Mount Bracket SN>=101793	1
38	56040	Service Kit - External Power Connector Mount SN>=110822	1
39	56041	Service Kit External Power Connector Mount SN 110793-110821	1
40	56043	Service Kit - Flange Bearing	2



SERVICE KITS MAY INCLUDE INSTRUCTIONS AND TOOLS



TITLE: T5 & T5XR PARTS MANUAL FRONT END GROUP

DWG. NO. 51397

REV C

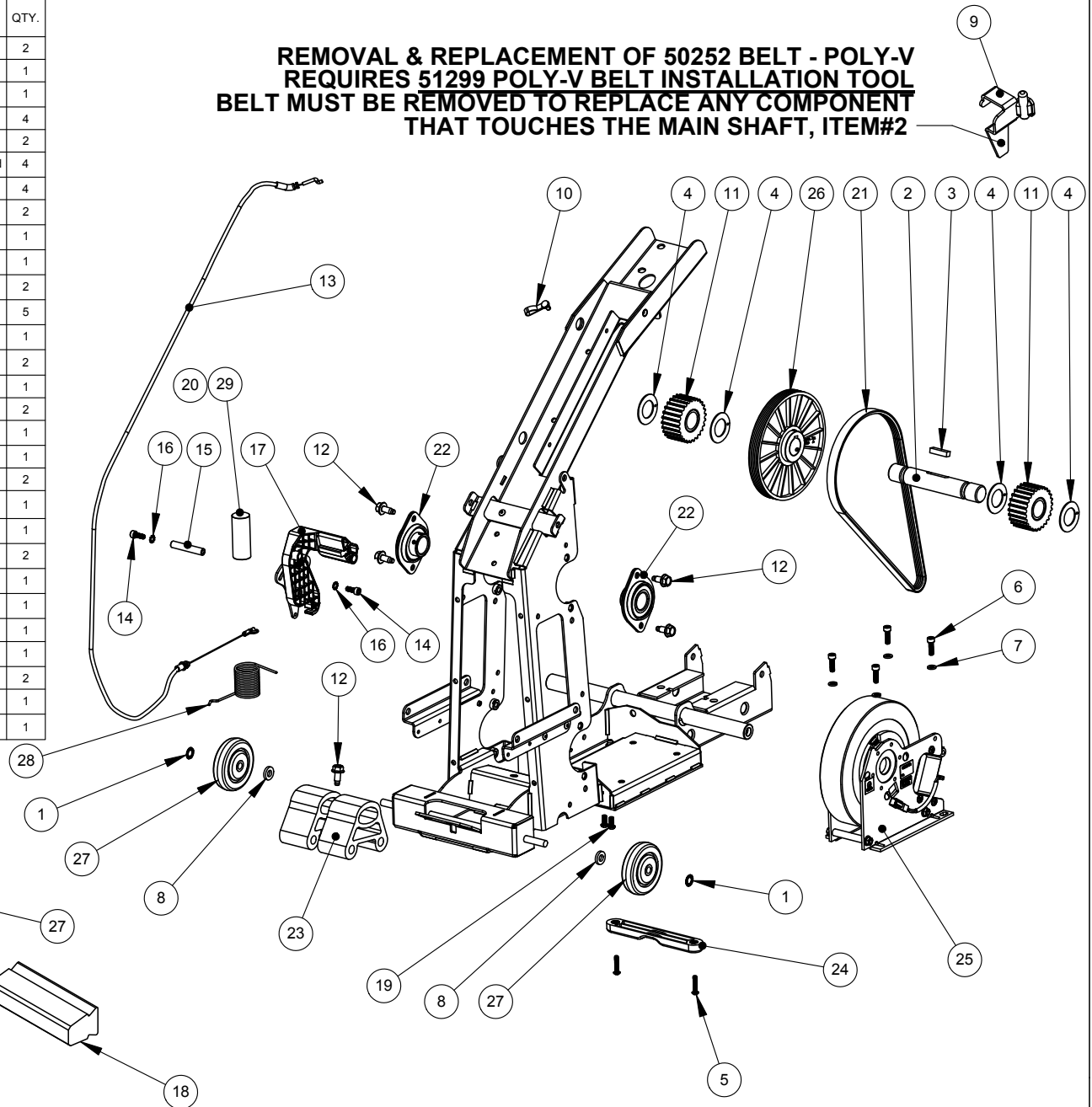
APP RAF

RELEASE DATE 7/11/16

Front End Group Figure 6

ITEM NO.	PART NUMBER	DESCRIPTION	QTY.
1	50014	Push Nut - Reinforced, .375 Dia. Shaft	2
2	50021	Shaft - Drive, Main	1
3	50024	Key - Drive Shaft	1
4	50427	IGUS Thrust Washer GTM-2644-015	4
5	50698	SCREW - BHSC, M5x0.8x25, HEX, SS	2
6	50707	Screw - SHCS, M6x1.0px20,Hex, Black Oxide, Class 12.9, Patched	4
7	50708	Washer - Flat, Narrow, M6	4
8	50853	Spacer - Wheel	2
9	51299	Tool - Poly V Belt Installation	1
10	51366	Cable Hanger - Richco CH-2-01	1
11	51405	Service Assembly - Drive Sprocket, T5 & T5XR	2
12	51426	Bolt - Hex Flange, M8x1.25px20, MATpoint, Magni 565 Plated	5
13	51794	Service Kit - StrideLock Cable Assembly	1
14	51803	Screw - SHCS, M6x1.0x16,Hex, Black Oxide, Class 12.9	2
15	51808	Shaft - Standoff Generator - T5	1
16	51809	Washer - Serrated Lock, M6	2
17	51893	Service Kit - StrideLock Brake Assembly	1
18	51907	Service Kit - Brake Pad, T5	1
19	51908	Screw - BHSC, M6x1.0x14, Patched	2
20	51932	Service Kit - StrideLock Brake Arbor T5 SN 109969-110242	1
21	56042	Service Kit - Poly V Belt	1
22	56043	Service Kit - Flange Bearing	2
23	56044	Service Kit - Pedal Bumper	1
24	56045	Service Kit - Mid Frame Bumper	1
25	56046	Service Kit - Generator Brake	1
26	56047	Service Kit - Poly V Pulley	1
27	56048	Service Kit - Front Wheel	2
28	56049	Service Kit - StrideLock Torsion Spring	1
29	56050	Service Kit - StrideLock Brake Arbor T5 SN >=110243	1

**REMOVAL & REPLACEMENT OF 50252 BELT - POLY-V
REQUIRES 51299 POLY-V BELT INSTALLATION TOOL
BELT MUST BE REMOVED TO REPLACE ANY COMPONENT
THAT TOUCHES THE MAIN SHAFT, ITEM#2**



SERVICE KITS MAY INCLUDE INSTRUCTIONS AND TOOLS



TITLE: T5 & T5XR PARTS MANUAL
FRONT END GROUP

DWG. NO.
51398

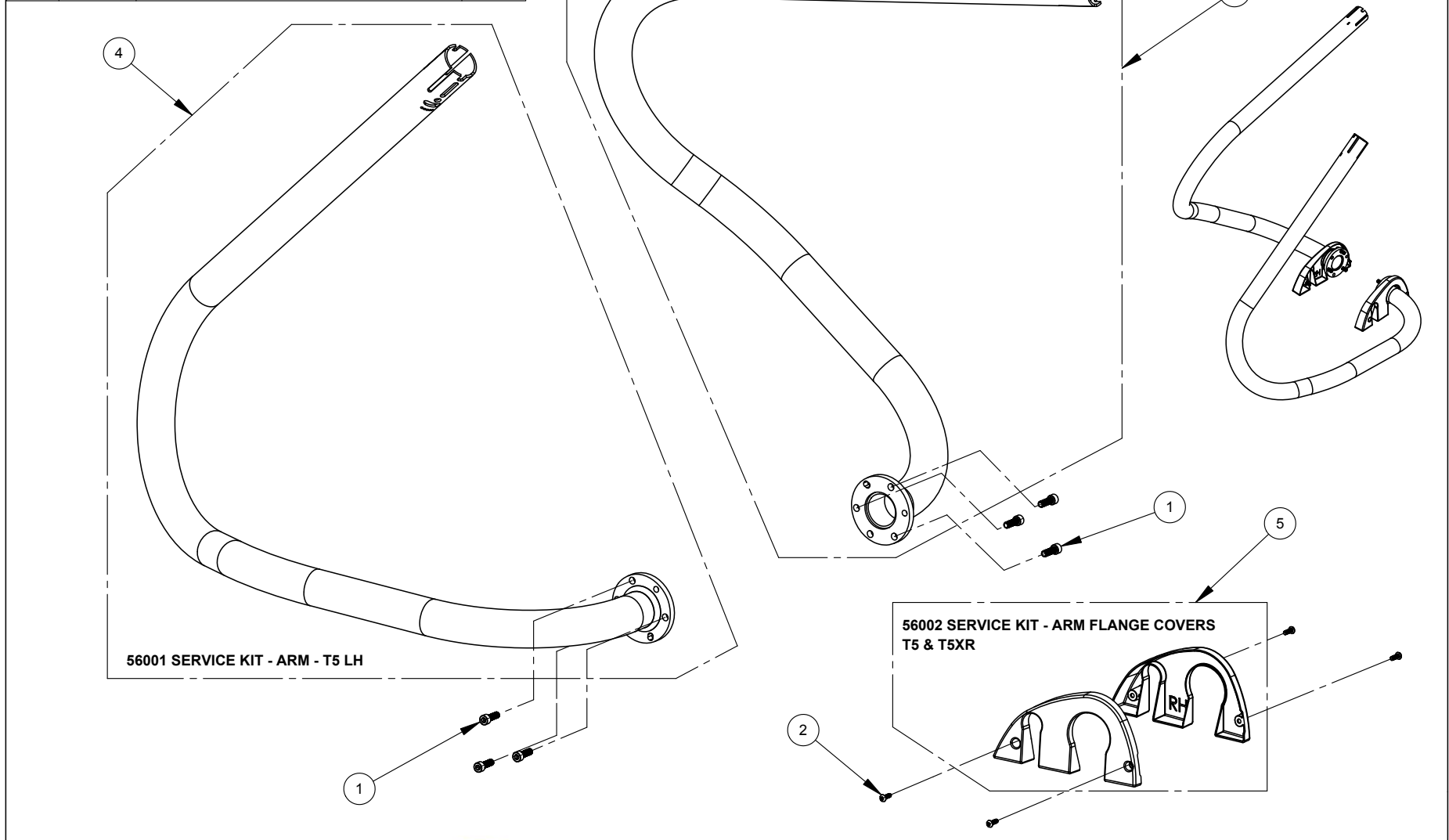
REV
C

APP
RAF

RELEASE DATE
7/11/16

Arms Group Figure 1

ITEM NO.	PART NUMBER	DESCRIPTION	QTY.
1	50032	Screw - SHC, M8x1.25x25, Class 12.9, Hex, Black Oxide, Patched	6
2	50704	Screw - BHSC, M5x0.8px16, Hex, SS	4
3	56000	Service Kit - Arm - T5 RH	1
4	56001	Service Kit - Arm - T5 LH	1
5	56002	Service Kit - Arm Flange Covers - T5 & T5XR	1



SERVICE KITS MAY INCLUDE INSTRUCTIONS AND TOOLS



TITLE: T5 & T5XR PARTS MANUAL
ARMS GROUP

DWG. NO.
51341

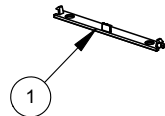
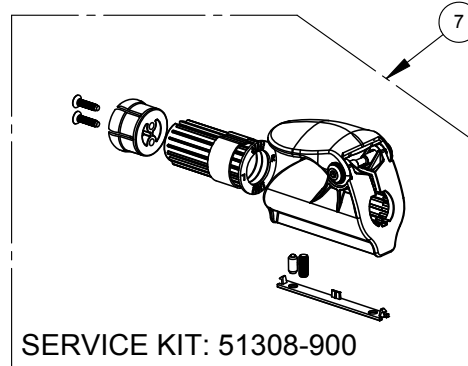
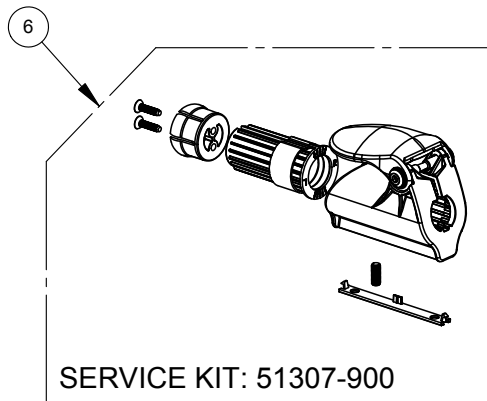
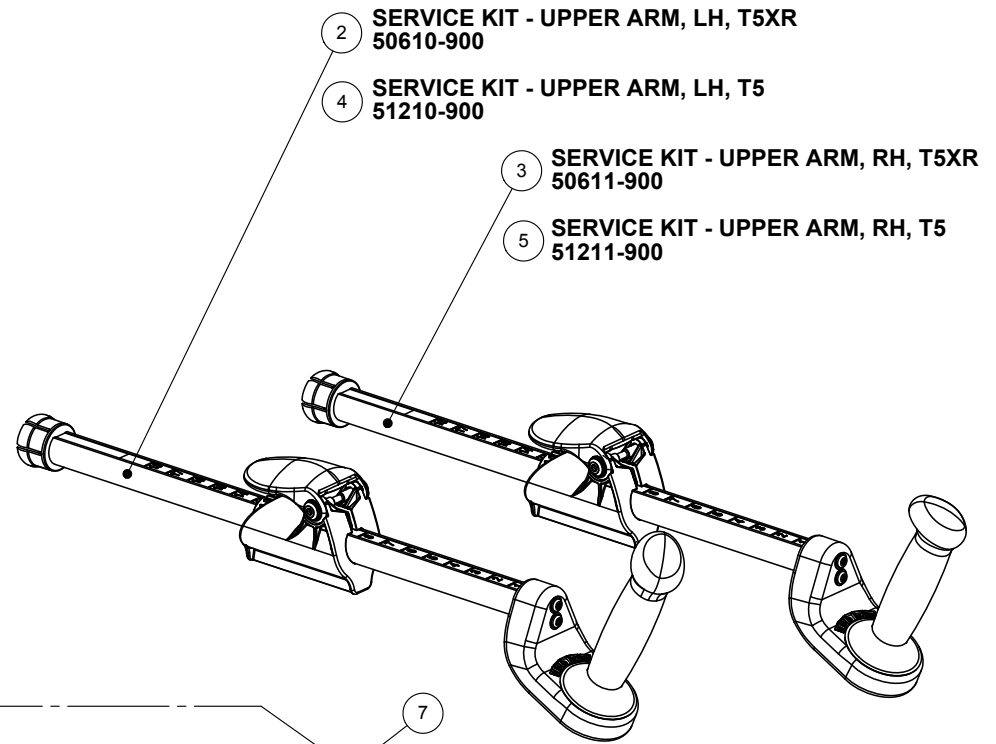
REV
C

APP
RAF

RELEASE DATE
7/11/16

Arms Group Figure 2

ITEM NO.	PART NUMBER	DESCRIPTION	QTY.
1	50051	Cover - Armlock	2
2	50610-900	Service Kit - Upper Arm, LH, T5XR	1
3	50611-900	Servive Kit - Upper Arm, RH, T5XR	1
4	51210-900	Service Kit - Upper Arm, LH, T5	1
5	51211-900	Service Kit - Upper Arm, RH, T5	1
6	51307-900	Service Kit - Armlock, T5	2
7	51308-900	Service Kit - Armlock, T5XR	2



SERVICE KITS MAY INCLUDE INSTRUCTIONS AND TOOLS



TITLE: T5 & T5XR PARTS MANUAL
ARMS GROUP

DWG. NO.
51342

REV
C

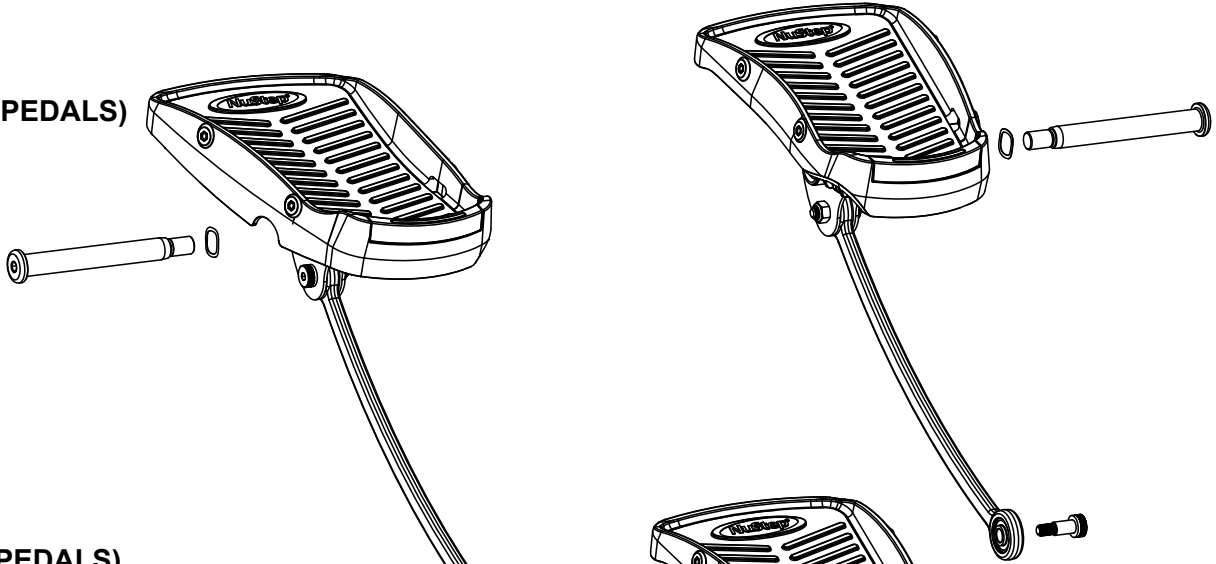
APP
RAF

RELEASE DATE
7/11/16

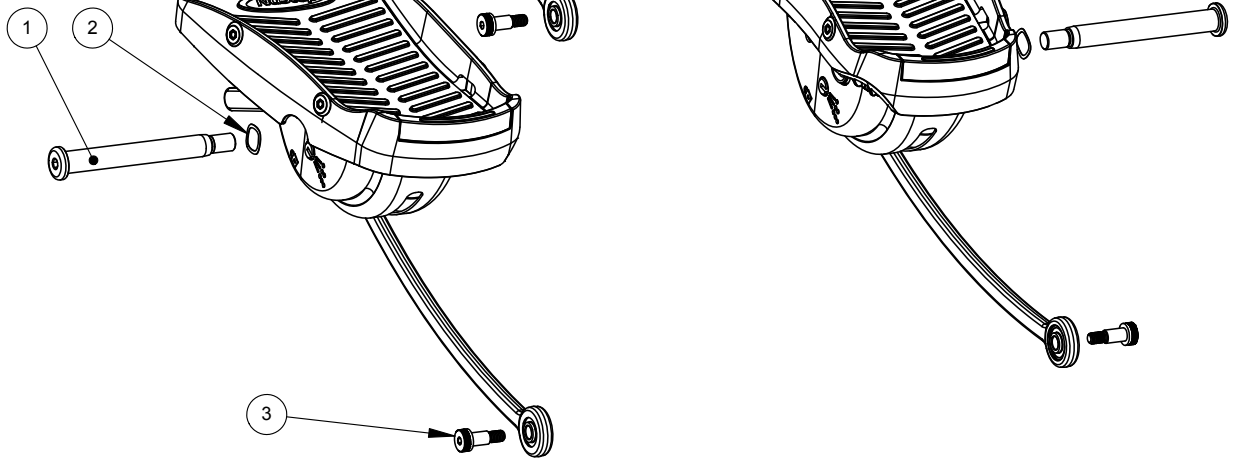
Foot Pedal Group Figure 1

ITEM NO.	PART NUMBER	DESCRIPTION	QTY.
1	50060	Bolt - Shoulder, Pedal Mounting	2
2	50856	Washer - Spring, Gardner Spring #MW1080-012	2
3	50061	Screw, Shoulder - SHSS, 12MM x 20MM, Class 12.9, Patched	2

(T5 PEDALS)



(T5XR PEDALS)



TITLE: T5 & T5XR PARTS MANUAL
FOOT PEDAL GROUP

DWG. NO. 51343

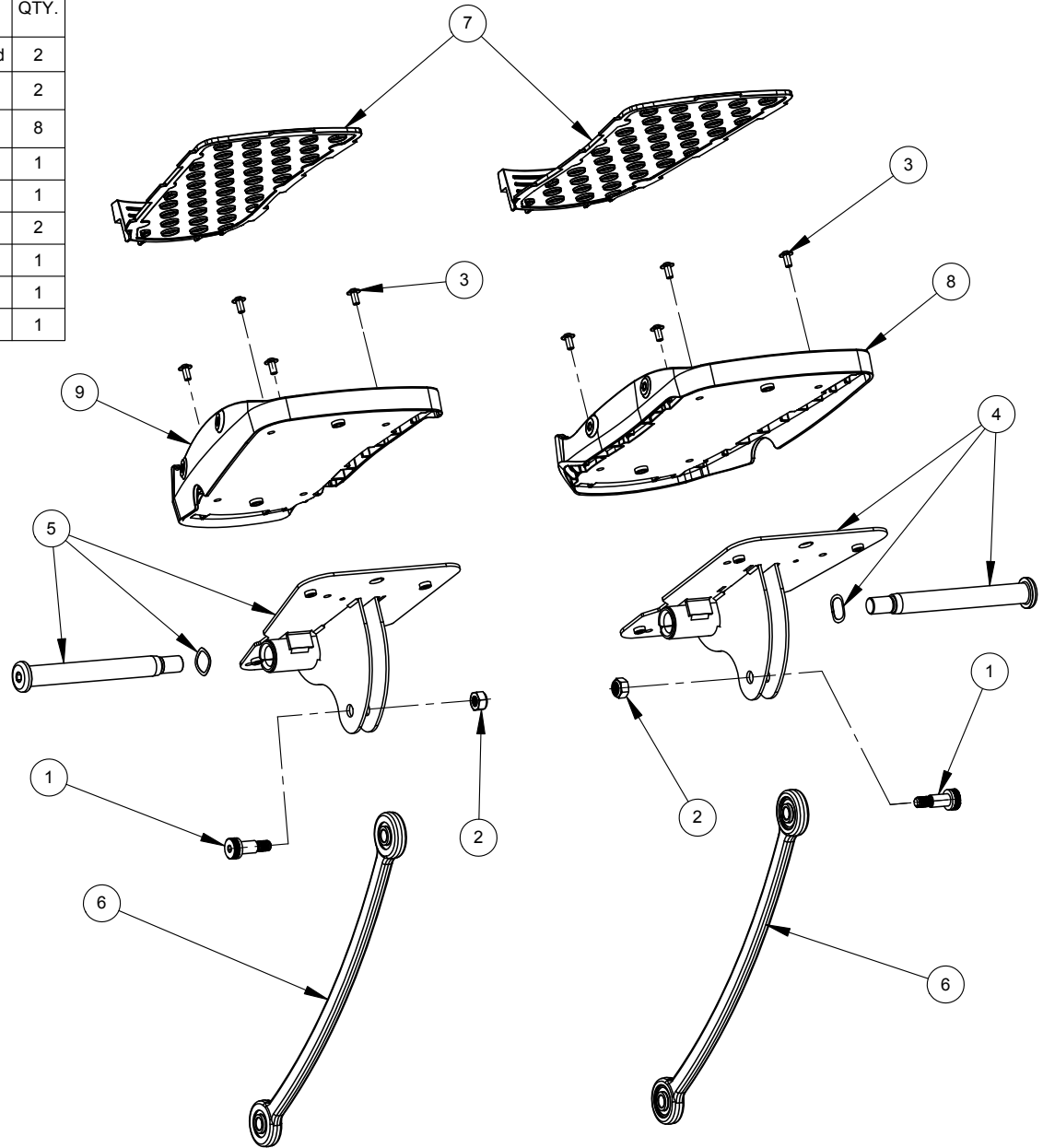
REV C

APP RAF

RELEASE DATE 7/11/16

Foot Pedal Group Figure 2 - T5

ITEM NO.	PART NUMBER	DESCRIPTION	QTY.
1	50061	Screw, Shoulder - SHSS, 12MM x 20MM, Class 12.9, Patched	2
2	50417	Nut - Locking, Nylon Insert, M10x1.5, DIN 985, Zinc Plated	2
3	50934	Screw - FBHCS, M6x1.0px12mm, 10.9, Black Zinc, Patched	8
4	51742	Service Kit - Footpedal Base, LH, T5	1
5	51743	Service Kit - Footpedal Base, RH, T5	1
6	56025	Service Kit - Pedal Connecting Link	2
7	56026	Service Kit - Foot Pedal Treads	1
8	56027	Service Kit - Foot Pedal LH	1
9	56028	Service Kit - Foot Pedal RH	1



SERVICE KITS MAY INCLUDE INSTRUCTIONS AND TOOLS



TITLE: T5 & T5XR PARTS MANUAL
FOOT PEDAL GROUP

DWG. NO.
51344

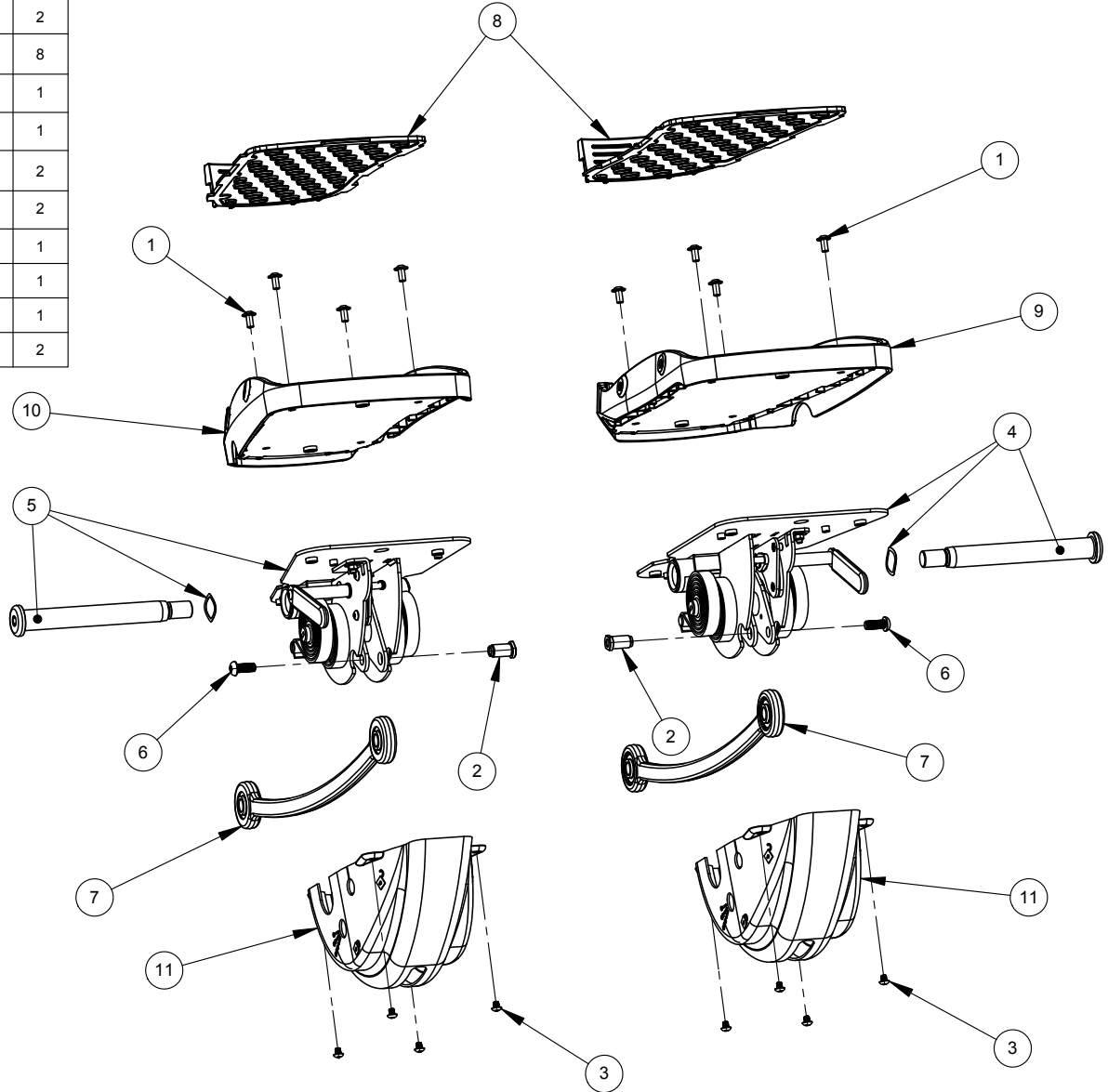
REV
C

APP
RAF

RELEASE DATE
7/11/16

Foot Pedal Group Figure 3 - T5XR

ITEM NO.	PART NUMBER	DESCRIPTION	QTY.
1	50934	Screw - FBHCS, M6x1.0px12mm, 10.9, Black Zinc, Patched	8
2	51160	Nut - Link Pivot, Dorsi Flex	2
3	51191	Screw - BHSC, M5x0.8x6, Hex, Class 10.9, Black Oxide, Patched	8
4	51744	Service Kit - Footpedal Base, LH, T5	1
5	51745	Service Kit - Footpedal Base, RH, T5	1
6	51805	Screw - BHSC, M8x1.25x20, Class 10.9, Hex, Black, Patched	2
7	56025	Service Kit - Pedal Connecting Link	2
8	56026	Service Kit - Foot Pedal Treads	1
9	56027	Service Kit - Foot Pedal LH	1
10	56028	Service Kit - Foot Pedal RH	1
11	56029	Service Kit - Dorsi Flex Foot Pedal Cover	2



SERVICE KITS MAY INCLUDE INSTRUCTIONS AND TOOLS



TITLE: T5 & T5XR PARTS MANUAL
FOOT PEDAL GROUP

DWG. NO.
51345

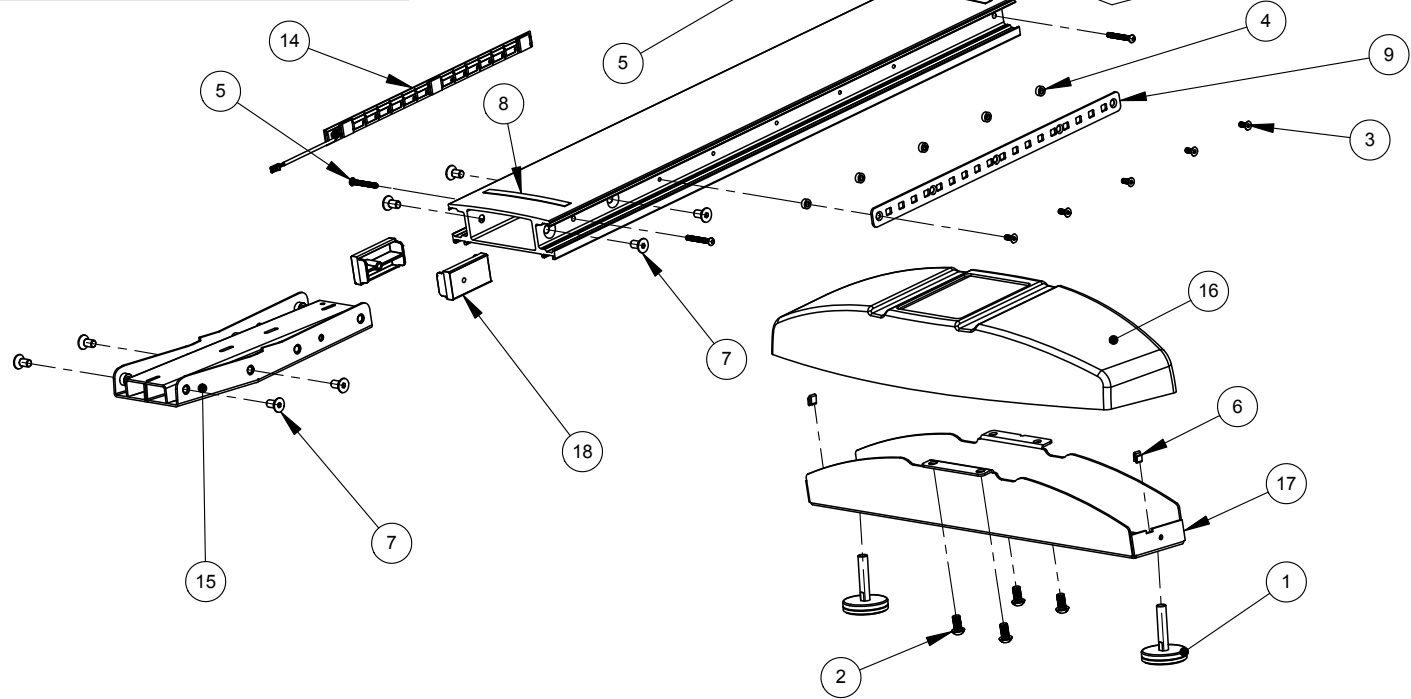
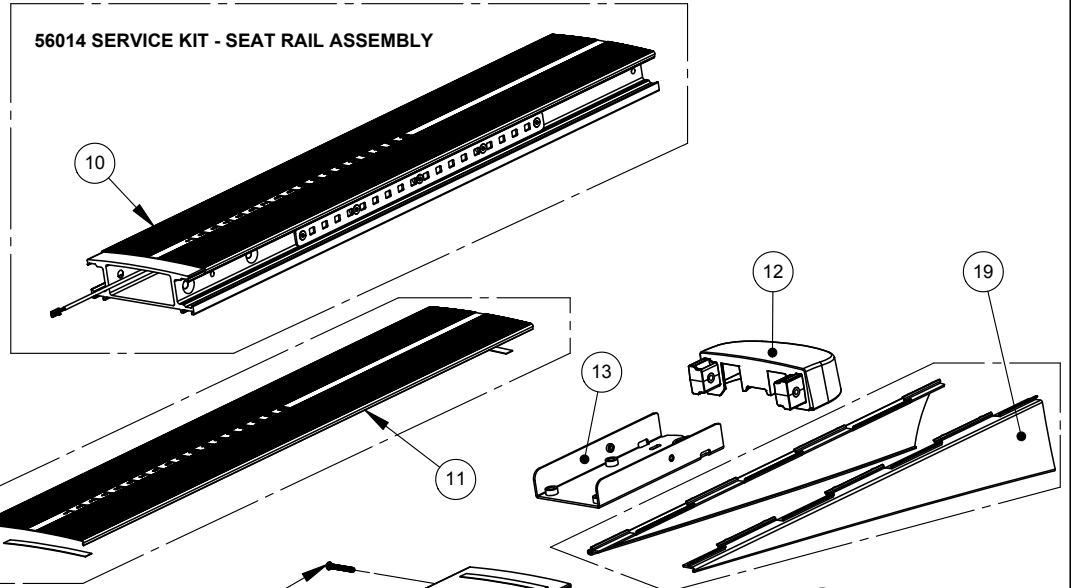
REV
C

APP
RAF

RELEASE DATE
7/11/16

Rear End Group

ITEM NO.	PART NUMBER	DESCRIPTION	QTY.
1	50033	Industrial Glide	2
2	50076	Screw - BHSC, M10x1.5x20, Class 10.9, Hex, Black, Patched	4
3	50184	Screw - FHSC, M6x1.0x16, Grade 10.9, Hex, Black	5
4	50534	Spacer - Rail Latch Window Bracket	5
5	50623	Screw - BHSC, M6x1.0px45, Class 10.9, Hex, Black Zinc, Patched	4
6	50716	S Clip	2
7	50950	Screw - FHSCS, M10x1.5x20, Hex, Class 10.9, Black Zinc, Patched	8
8	50996	Tape - Adhesive	1
9	56013	Service Kit - Latch Bracket	1
10	56014	Service Kit - Seat Rail Assembly	1
11	56015	Service Kit - Seat Rail Trim Cover	1
12	56016	Service Kit - Rear Seat Rail Cover	1
13	56017	Service Kit - Rear Support Nut Plate	1
14	56018	Serve Kit - Seat Position Sensor Board	1
15	56019	Service Kit - Frame Joint	1
16	56020	Service Kit - Rear Support Cover	1
17	56021	Service Kit - Rear Support Bracket Assembly	1
18	56022	Service Kit - Front Seat Rail Bumper	2
19	56024	Service Kit - Seat Rail Wedge Covers	1



SERVICE KITS MAY INCLUDE INSTRUCTIONS AND TOOLS



TITLE: T5 & T5XR PARTS MANUAL
REAR END GROUP

DWG. NO.
51340

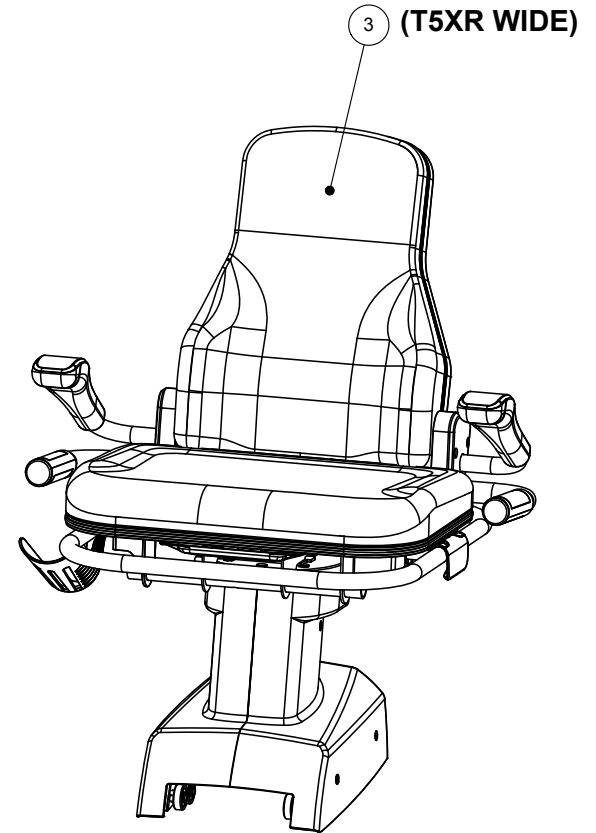
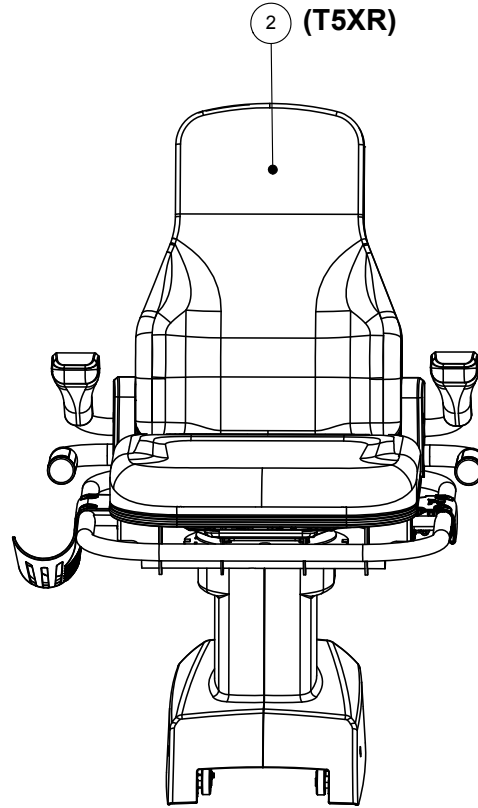
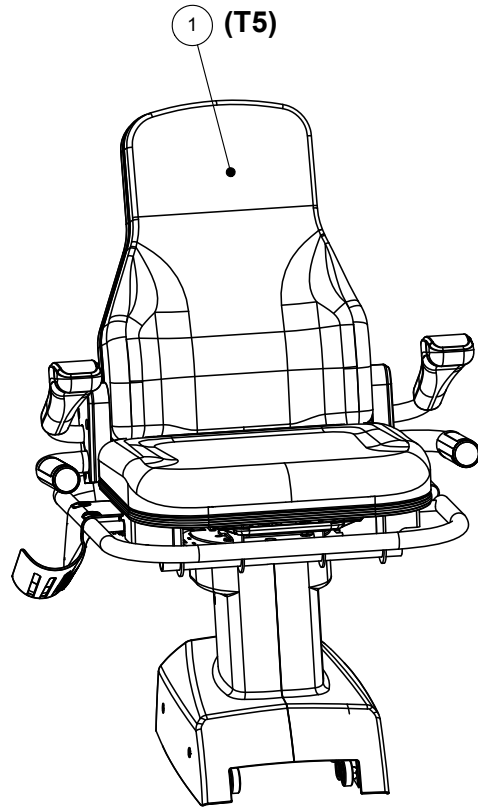
REV
C

APP
RAF

RELEASE DATE
7/11/16

Seat Group Figure 1

ITEM NO.	PART NUMBER	DESCRIPTION	QTY.
1	50513	Assembly - Seat & Trolley, T5	1
2	50300	Assembly - Seat & Trolley, T5XR	1
3	50301	Assembly - Seat & Trolley, T5XR Wide	1



TITLE: T5 & T5XR PARTS MANUAL
SEAT GROUP

DWG. NO.
51406

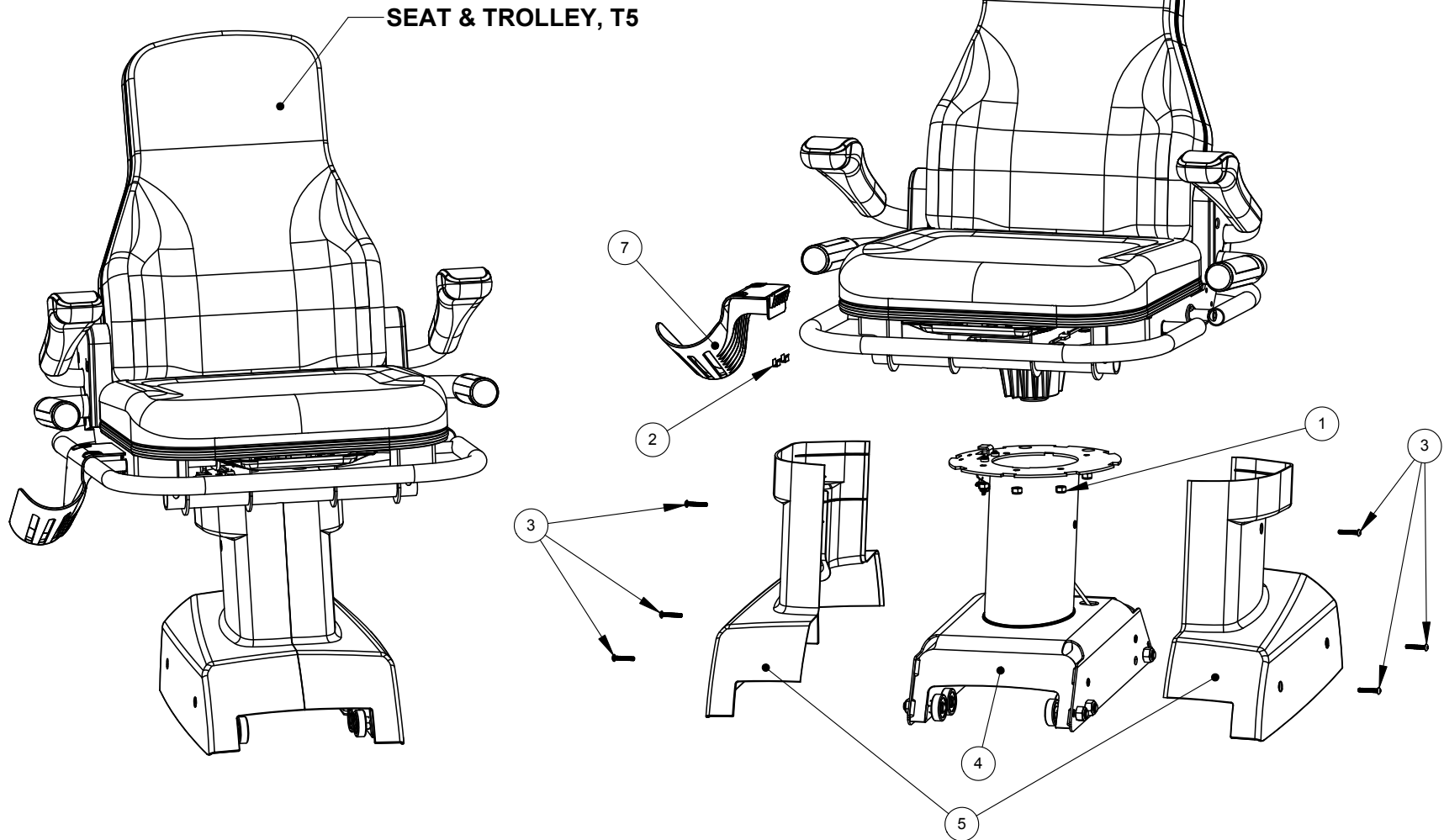
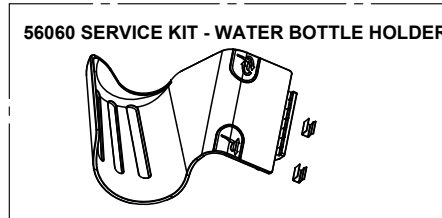
REV
C

APP
RAF

RELEASE DATE
7/11/16

Seat Group Figure 2 - T5 Seat

ITEM NO.	PART NUMBER	DESCRIPTION	QTY.
1	50546	Nut - Locking, Nylon Insert, M8x1.25, DIN 985, Zinc Plated	5
2	50599	CLIP, SPRING, WATER BOTTLE HOLDER	2
3	50705	Screw - BHSC, M5x0.8px30. Hex, SS	6
4	56054	Service Kit - Trolley Assembly	1
5	56056	Service Kit - Trolley Covers - T5	1
6	56058	Service Kit - T5 Seat	1
7	56060	Service kit - Water Bottle Holder	1



SERVICE KITS MAY INCLUDE INSTRUCTIONS AND TOOLS



TITLE: T5 & T5XR PARTS MANUAL
SEAT GROUP

DWG. NO.
51408

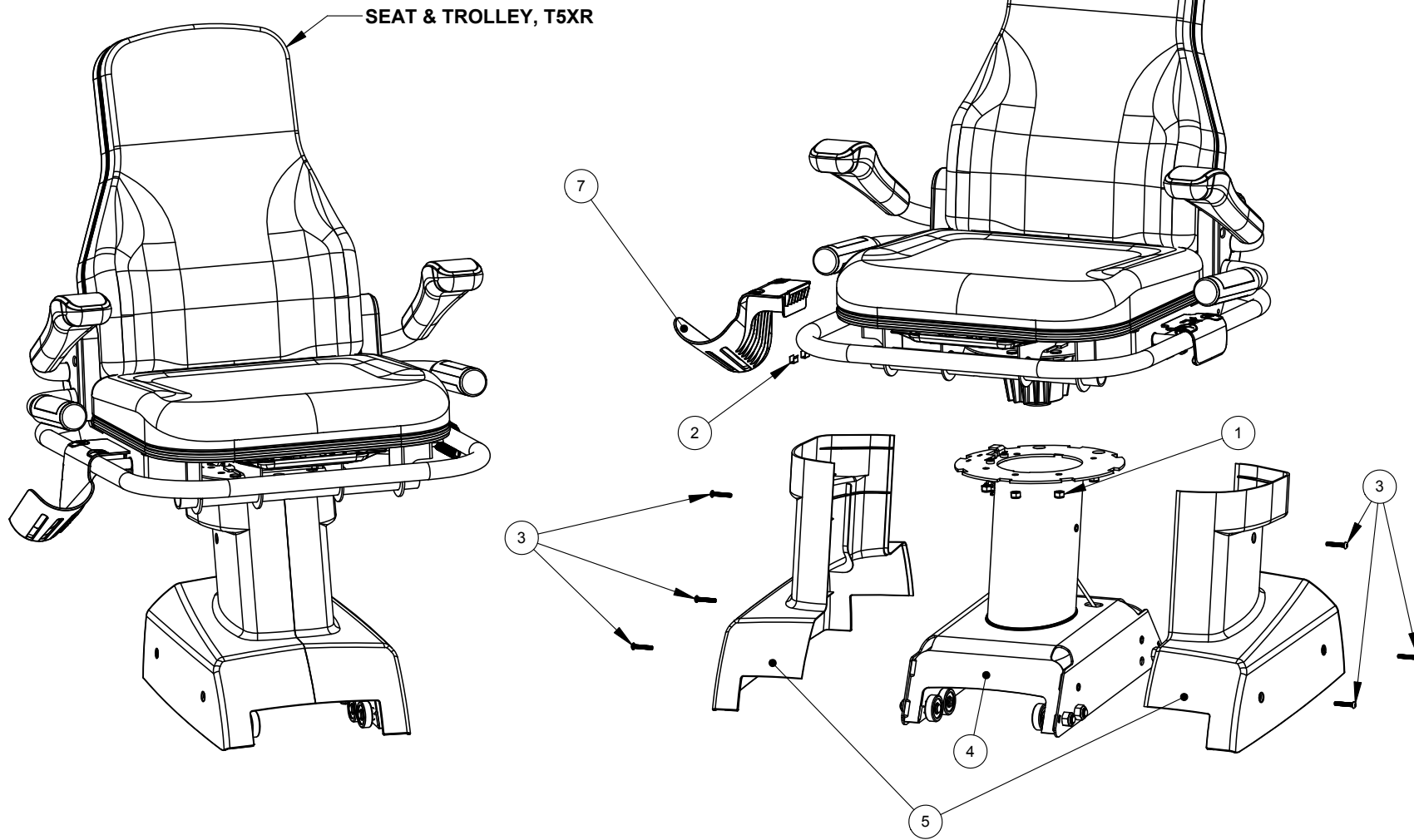
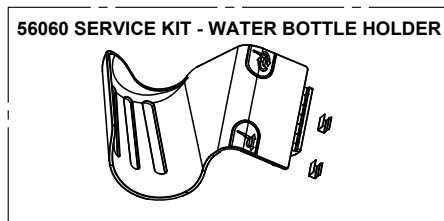
REV
C

APP
RAF

RELEASE DATE
7/11/16

Seat Group Figure 3 - T5XR Seat

ITEM NO.	PART NUMBER	DESCRIPTION	QTY.
1	50546	Nut - Locking, Nylon Insert, M8x1.25, DIN 985, Zinc Plated	5
2	50599	CLIP, SPRING, WATER BOTTLE HOLDER	2
3	50705	Screw - BHSC, M5x0.8px30. Hex, SS	6
4	56054	Service Kit - Trolley Assembly	1
5	56055	Service Kit - Trolley Covers - T5XR	1
6	56057	Service Kit - T5XR Seat	1
7	56060	Service kit - Water Bottle Holder	1



SERVICE KITS MAY INCLUDE INSTRUCTIONS AND TOOLS



TITLE: T5 & T5XR PARTS MANUAL SEAT GROUP

DWG. NO. 51407

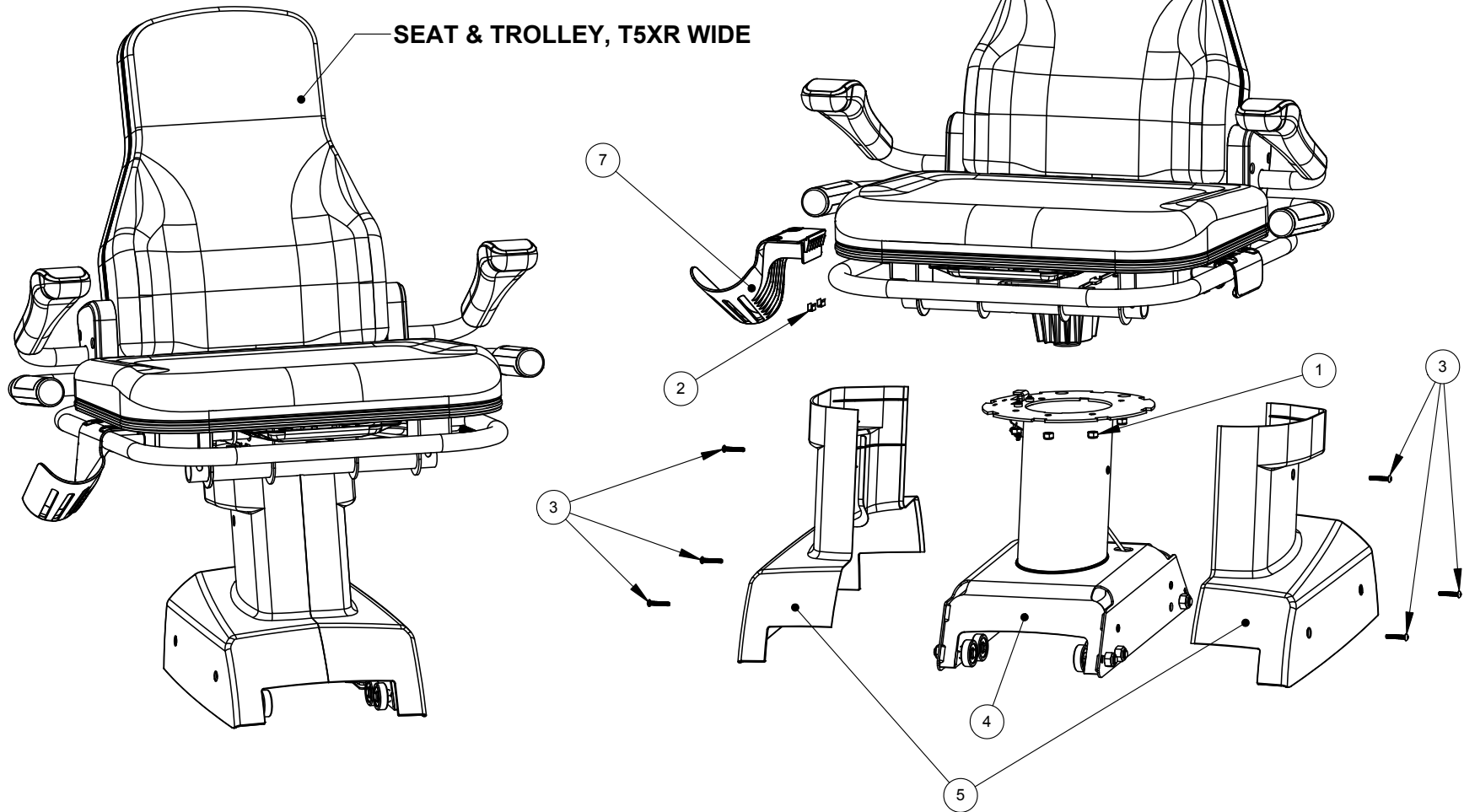
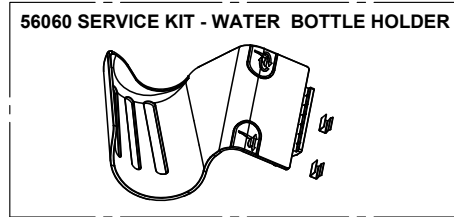
REV C

APP RAF

RELEASE DATE 7/11/16

Seat Group Figure 4 - T5XR Wide Seat

ITEM NO.	PART NUMBER	DESCRIPTION	QTY.
1	50546	Nut - Locking, Nylon Insert, M8x1.25, DIN 985, Zinc Plated	5
2	50599	CLIP, SPRING, WATER BOTTLE HOLDER	2
3	50705	Screw - BHSC, M5x0.8px30. Hex, SS	6
4	56054	Service Kit - Trolley Assembly	1
5	56055	Service Kit - Trolley Covers - T5XR	1
6	56059	Service Kit - T5XR Wide Seat	1
7	56060	Service kit - Water Bottle Holder	1



SERVICE KITS MAY INCLUDE INSTRUCTIONS AND TOOLS



TITLE: T5 & T5XR PARTS MANUAL
SEAT GROUP

DWG. NO.
51409

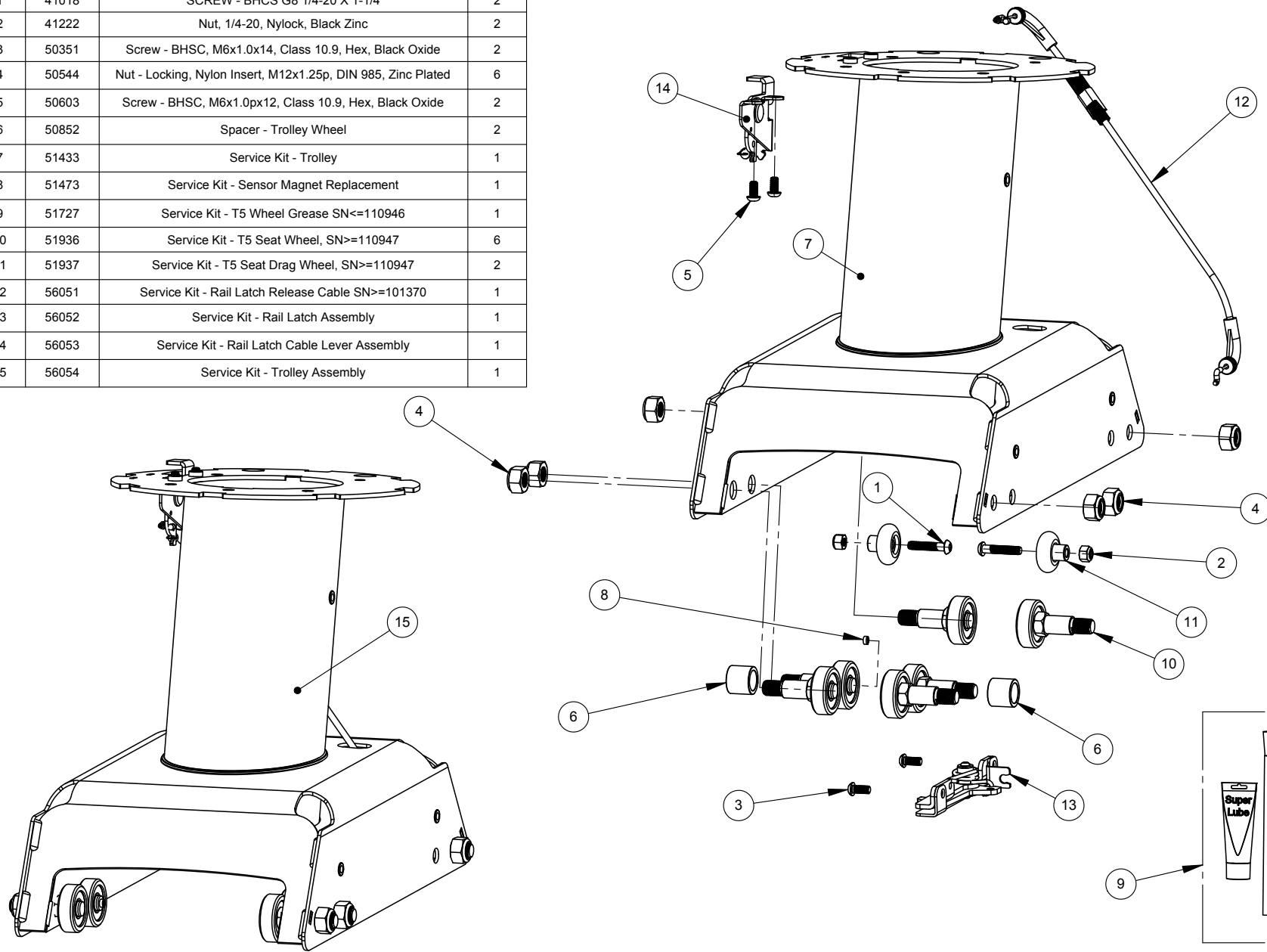
REV
C

APP
RAF

RELEASE DATE
7/11/16

Seat Group Figure 5 - Seat Trolley

ITEM NO.	PART NUMBER	DESCRIPTION	QTY.
1	41018	SCREW - BHCS G8 1/4-20 X 1-1/4	2
2	41222	Nut, 1/4-20, Nylock, Black Zinc	2
3	50351	Screw - BHSC, M6x1.0x14, Class 10.9, Hex, Black Oxide	2
4	50544	Nut - Locking, Nylon Insert, M12x1.25p, DIN 985, Zinc Plated	6
5	50603	Screw - BHSC, M6x1.0px12, Class 10.9, Hex, Black Oxide	2
6	50852	Spacer - Trolley Wheel	2
7	51433	Service Kit - Trolley	1
8	51473	Service Kit - Sensor Magnet Replacement	1
9	51727	Service Kit - T5 Wheel Grease SN<=110946	1
10	51936	Service Kit - T5 Seat Wheel, SN>=110947	6
11	51937	Service Kit - T5 Seat Drag Wheel, SN>=110947	2
12	56051	Service Kit - Rail Latch Release Cable SN>=101370	1
13	56052	Service Kit - Rail Latch Assembly	1
14	56053	Service Kit - Rail Latch Cable Lever Assembly	1
15	56054	Service Kit - Trolley Assembly	1



SERVICE KITS MAY INCLUDE INSTRUCTIONS AND TOOLS



TITLE: T5 & T5XR PARTS MANUAL
SEAT GROUP

DWG. NO.
51411

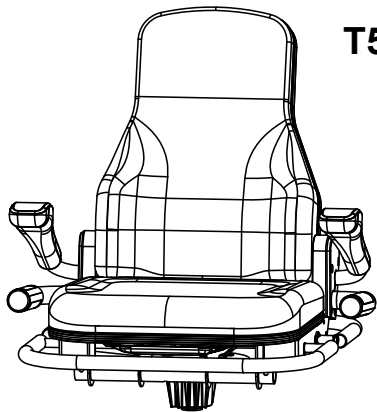
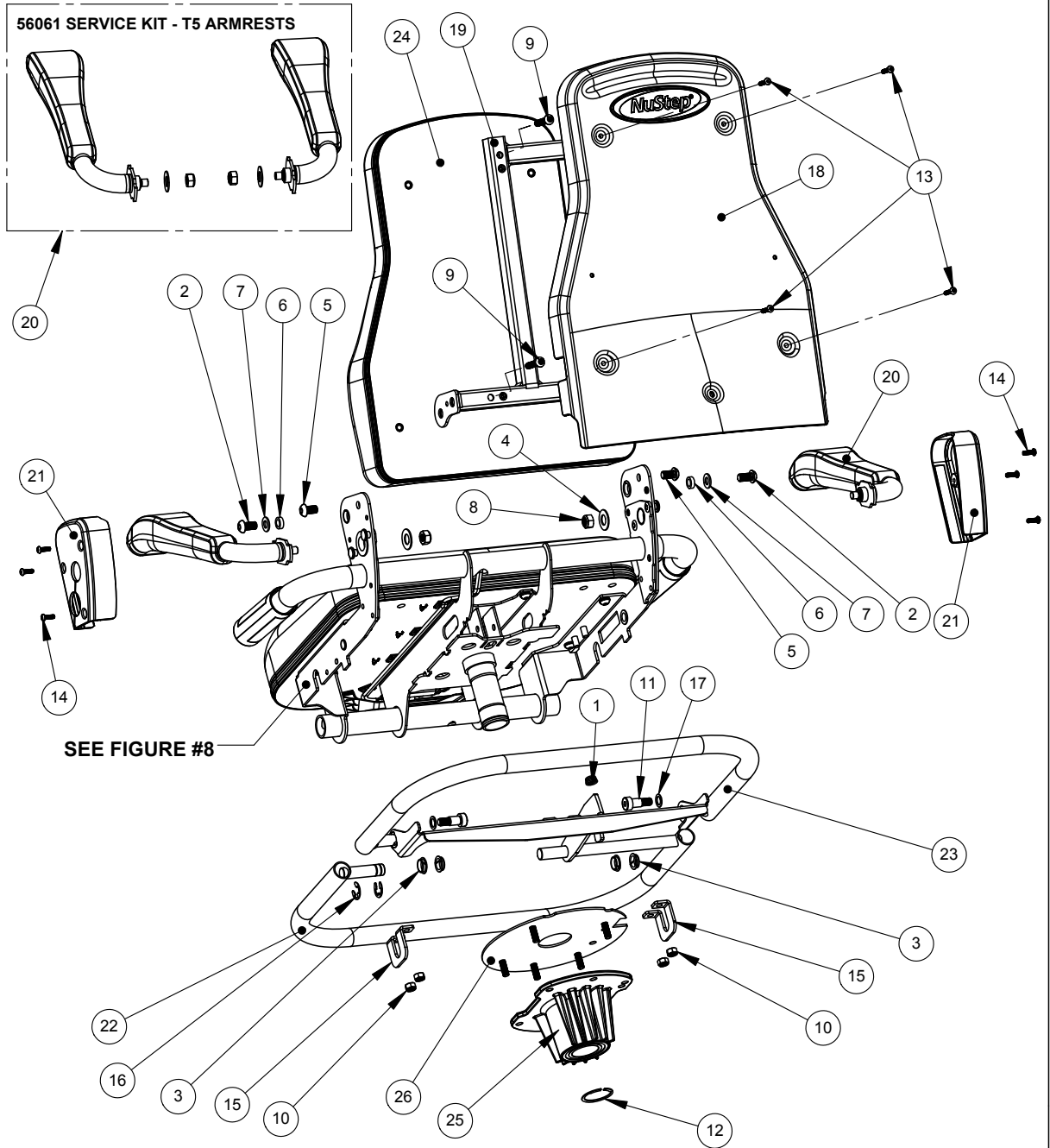
REV
C

APP
RAF

RELEASE DATE
7/11/166

Seat Group Figure 6 - T5 Seat

ITEM NO.	PART NUMBER	DESCRIPTION	QTY.
1	41142	Spring	1
2	50076	Screw - BHSC, M10x1.5x20, Class 10.9, Hex, Black, Patched	2
3	50348	BUSHING, IGUS MCI-10-02	4
4	50378	Washer - Belleville, 0.567" ID, 410 lbs	2
5	50381	SCREW-BHSCS, M10x1.5x18, HEX, PATCH	2
6	50382	SPACER, BACK FRAME PIVOT	2
7	50383	WASHER, M10x2.0	2
8	50417	Nut - Locking, Nylon Insert, M10x1.5, DIN 985, Zinc Plated	2
9	50511	SCREW - BHSC, M8x1.25x40, HEX, BLACK	4
10	50546	Nut - Locking, Nylon Insert, M8x1.25, DIN 985, Zinc Plated	4
11	50564	SCREW, SOCKET, SHOULDER, M12x1.5x16	2
12	50575	RETAINING RING, EXTERNAL, 1.5x0.05	1
13	50698	SCREW - BHSC, M5x0.8x25, HEX, SS	4
14	50704	Screw - BHSC, M5x0.8px16, Hex, SS	6
15	50872	Bracket - Seat Release Shaft	2
16	50874	E-Clip, Waldes Truarc #5133-62	2
17	50877	Washer - Shim	2
18	51402	Service Kit - Cover, Seat Back, T5 & T5XR	1
19	51413	Service Kit - Frame, Seat Back, T5	1
20	56061	Service Kit - T5 Armrests	1
21	56063	Service Kit - Seat Riser Covers	1
22	56064	Service Kit - Seat Lever - Front	1
23	56065	Service Kit - Seat Lever - Rear	1
24	56066	Service Kit - Seat Back Pad Replacement	1
25	56067	Service Kit - Seat Bearing Cartridge	1
26	56068	Service Kit - Seat Stud Plate	1



T5 SEAT

SERVICE KITS MAY INCLUDE INSTRUCTIONS AND TOOLS



TITLE: T5 & T5XR PARTS MANUAL
SEAT GROUP

DWG. NO.
51446

REV
C

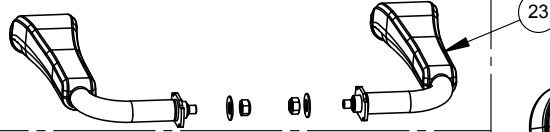
APP
RAF

RELEASE DATE
7/11/16

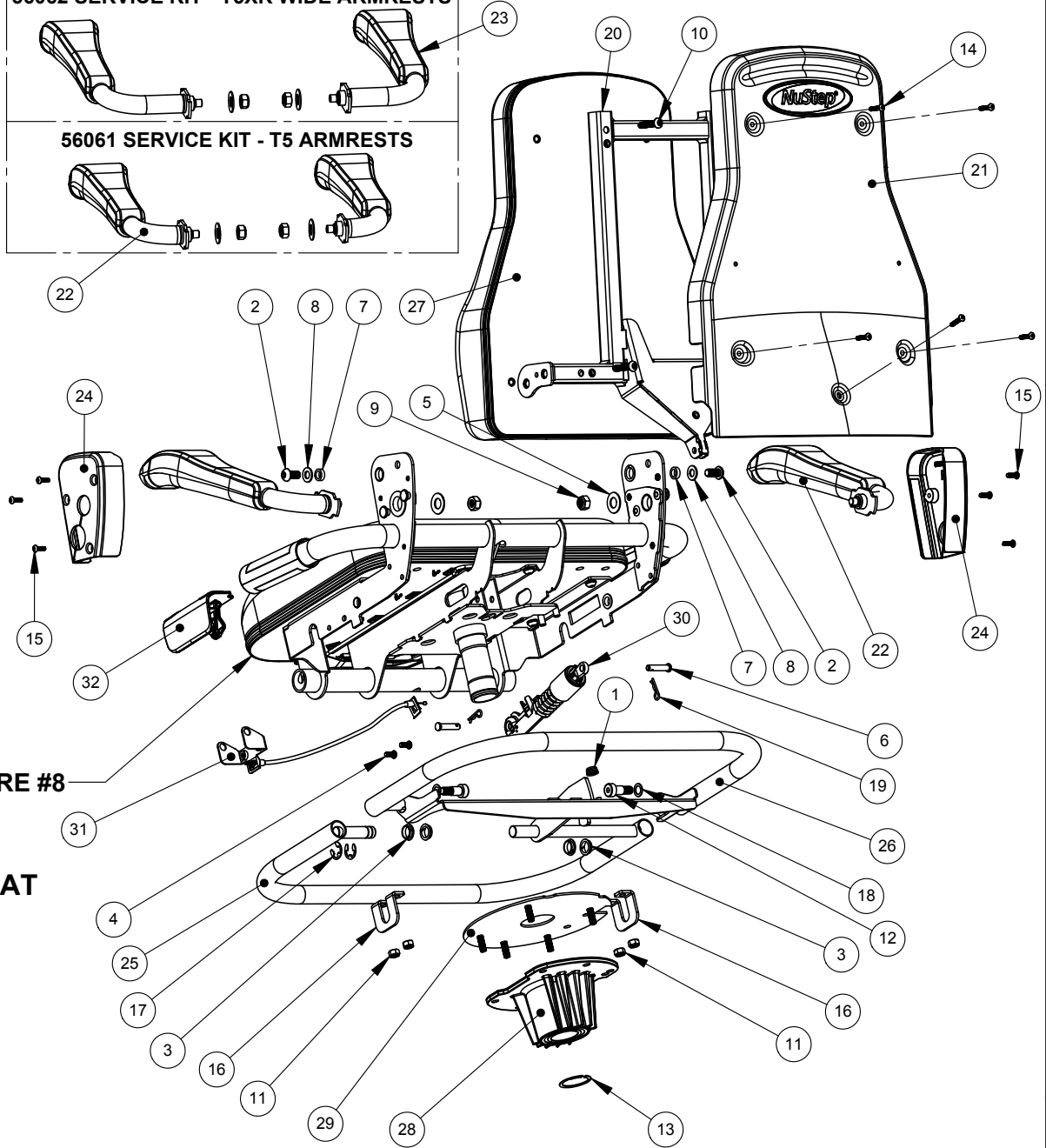
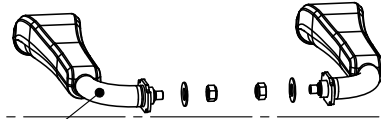
Seat Group Figure 7 - T5XR Seat

ITEM NO.	PART NUMBER	DESCRIPTION	QTY.
1	41142	Spring	1
2	50076	Screw - BHSC, M10x1.5x20, Class 10.9, Hex, Black, Patched	2
3	50348	BUSHING, IGUS MCI-10-02	4
4	50351	Screw - BHSC, M6x1.0x14, Class 10.9, Hex, Black Oxide, Patched	2
5	50378	Washer - Belleville, 0.567" ID, 410 lbs	2
6	50379	PIN, CLEVIS, STANDARD, 5/16 OD x 1_3/8	2
7	50382	SPACER, BACK FRAME PIVOT	2
8	50383	WASHER, M10x2.0	2
9	50417	Nut - Locking, Nylon Insert, M10x1.5, DIN 985, Zinc Plated	2
10	50511	SCREW - BHSC, M8x1.25x40, HEX, BLACK	4
11	50546	Nut - Locking, Nylon Insert, M8x1.25, DIN 985, Zinc Plated	4
12	50564	SCREW, SOCKET, SHOULDER, M12x1.5x16	2
13	50575	RETAINING RING, EXTERNAL, 1.5x0.05	1
14	50698	SCREW - BHSC, M5x0.8x25, HEX, SS	5
15	50704	Screw - BHSC, M5x0.8px16, Hex, SS	6
16	50872	Bracket - Seat Release Shaft	2
17	50874	E-Clip, Waldevs Truarc #5133-62	2
18	50877	Washer - Shim	2
19	50927	Cotter Pin, Hairpin Style, Steel, Zinc	2
20	51401	Service Kit - Frame, Seat Back, T5XR	1
21	51402	Service Kit - Cover, Seat Back, T5 & T5XR	1
22	56061	Service Kit - T5 Armrests	1
23	56062	Service Kit - T5 Armrests - Wide	1
24	56063	Service Kit - Seat Riser Covers	1
25	56064	Service Kit - Seat Lever - Front	1
26	56065	Service Kit - Seat Lever - Rear	1
27	56066	Service Kit - Seat Back Pad Replacement	1
28	56067	Service Kit - Seat Bearing Cartridge	1
29	56068	Service Kit - Seat Stud Plate	1
30	56079	Service Kit - Actuator, Seat Recline	1
31	56080	Service Kit - Cable & Bracket - Seat Recline	1
32	56081	Service Kit - Seat Recline Lever Replacement	1

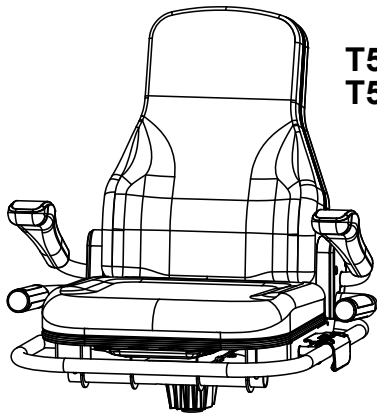
56062 SERVICE KIT - T5XR WIDE ARMRESTS



56061 SERVICE KIT - T5 ARMRESTS



SEE FIGURE #8



**T5XR SEAT
T5XR WIDE SEAT**



TITLE: T5 & T5XR PARTS MANUAL
SEAT GROUP

DWG. NO.
51412

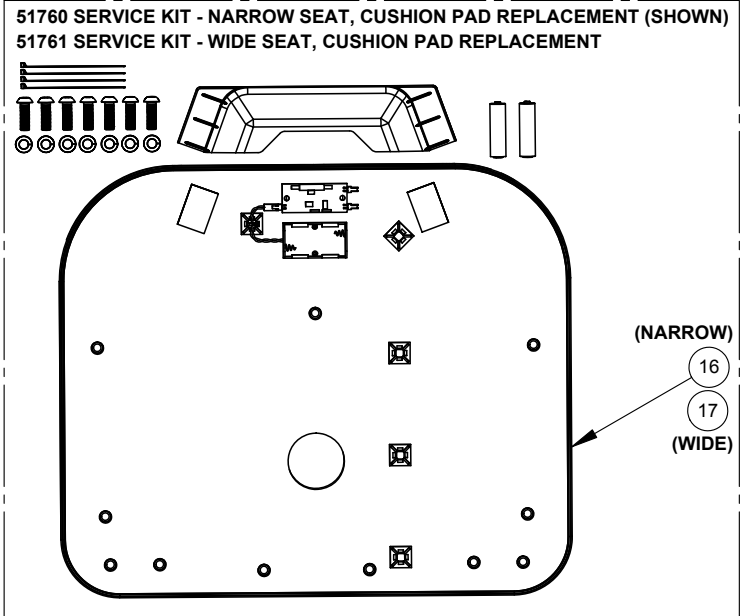
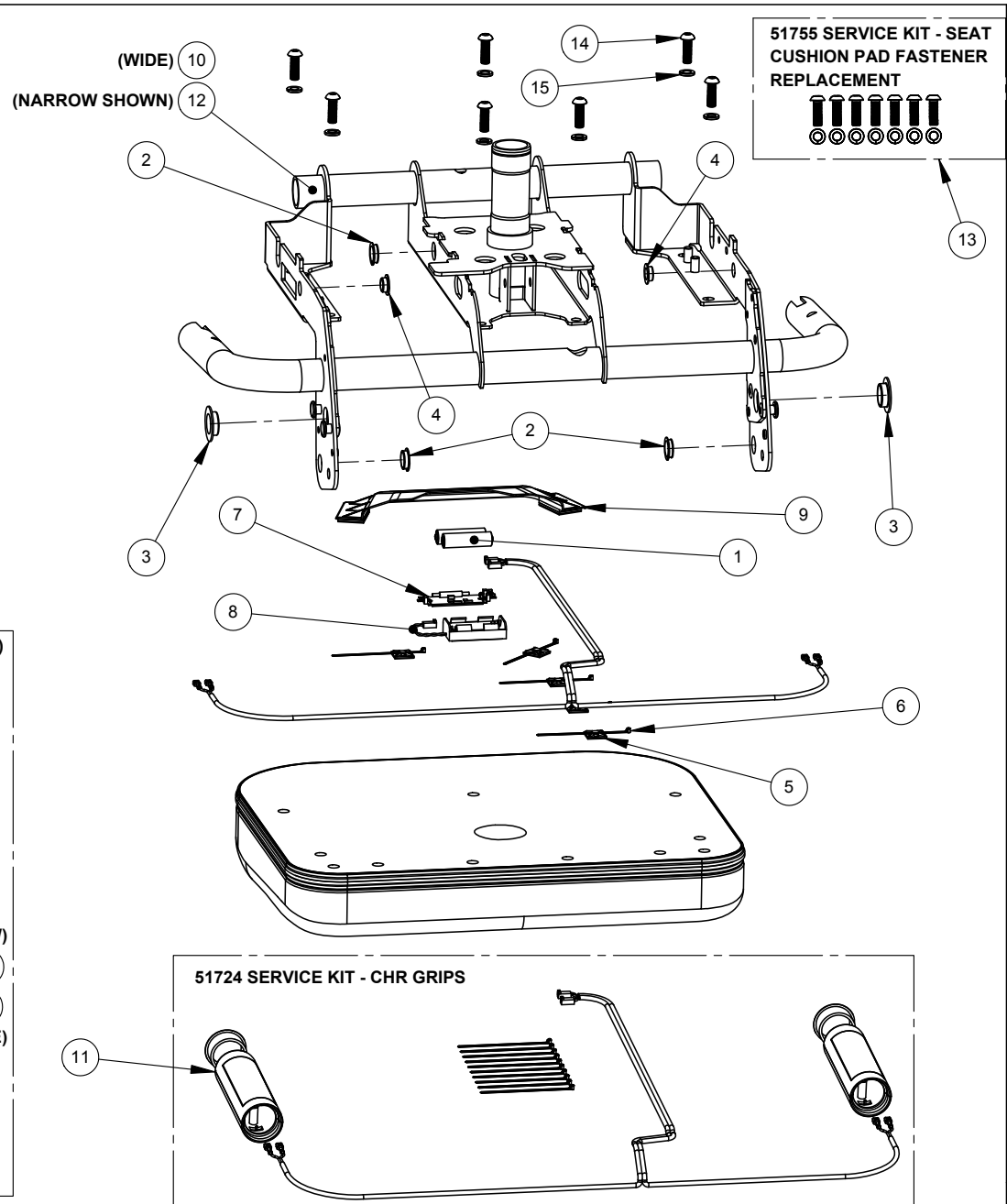
REV
C

APP
RAF

RELEASE DATE
7/11/16

Seat Group Figure 8 - T5XR Wide Seat

ITEM NO.	PART NUMBER	DESCRIPTION	QTY.
1	41224	Battery - AA Alkaline	2
2	50348	BUSHING, IGUS MCI-10-02	3
3	50377	BEARING - FLANGE, 20mm x 8.25mm	2
4	50563	BUSHING, IGUS GFM-1214-06	2
5	50880	Cable Mounting Base T&B #MPNY-750-0-C	5
6	50882	Cable Tie	5
7	51477	Service Kit - CHR Transmitter	1
8	51478	Service Kit - Battery Holder, CHR	1
9	51612	Service Kit - CHR Transmitter Cover Installation	1
10	51699	Weldment - Cushion Frame, Wide	1
11	51724	Service Kit - CHR Grips	1
12	51725	Weldment - Cushion Frame, Narrow	1
13	51755	Service Kit - Seat Cushion Pad Fastener Replacement	1
14	51756	Screw - BHSC, M8x1.25x25, Class 10.9, Hex, Black Oxide, VC-3 Patched	7
15	51757	Washer - M8 Split Lock, Zinc	7
16	51760	Service Kit - Narrow Seat Cushion Pad Replacement	1
17	51761	Service Kit - Wide Seat Cushion Pad Replacement	1



SERVICE KITS MAY INCLUDE INSTRUCTIONS AND TOOLS



TITLE: T5 & T5XR PARTS MANUAL SEAT GROUP

DWG. NO. 51449

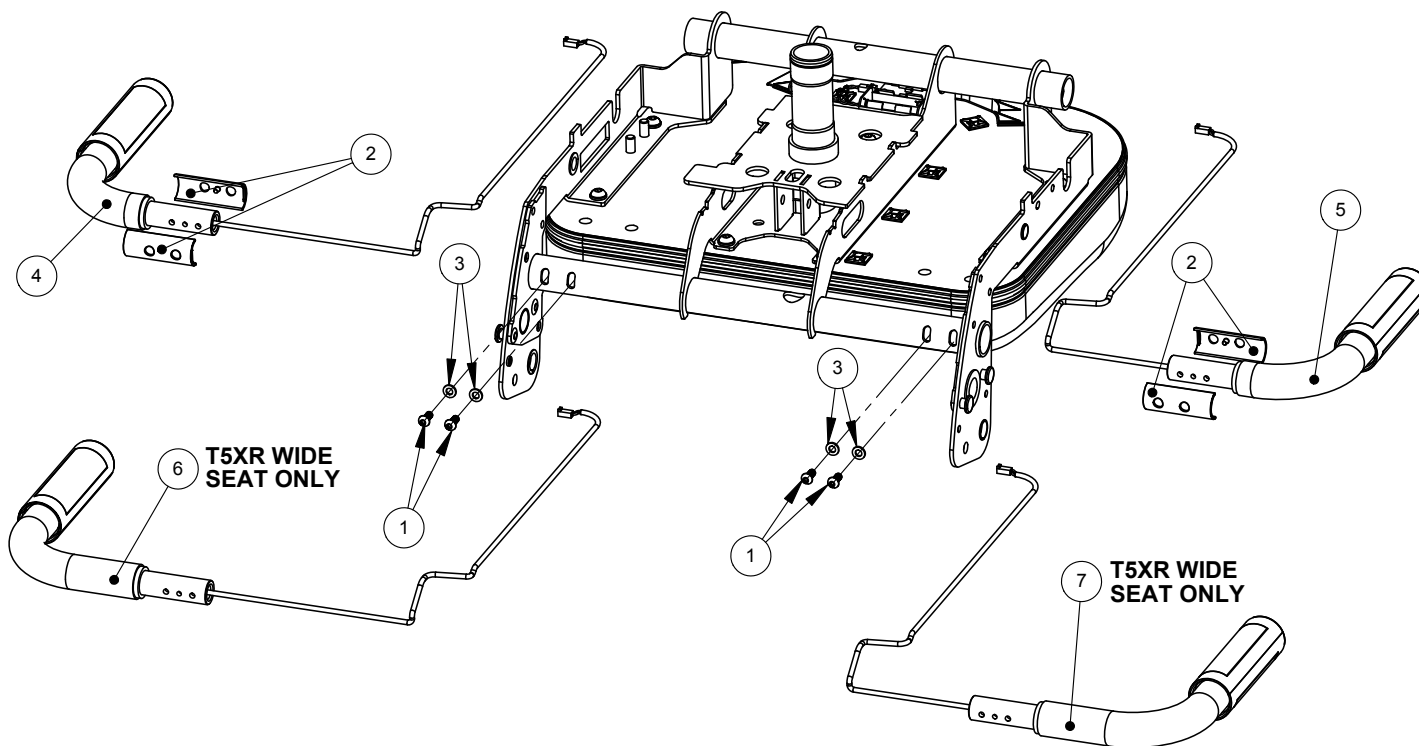
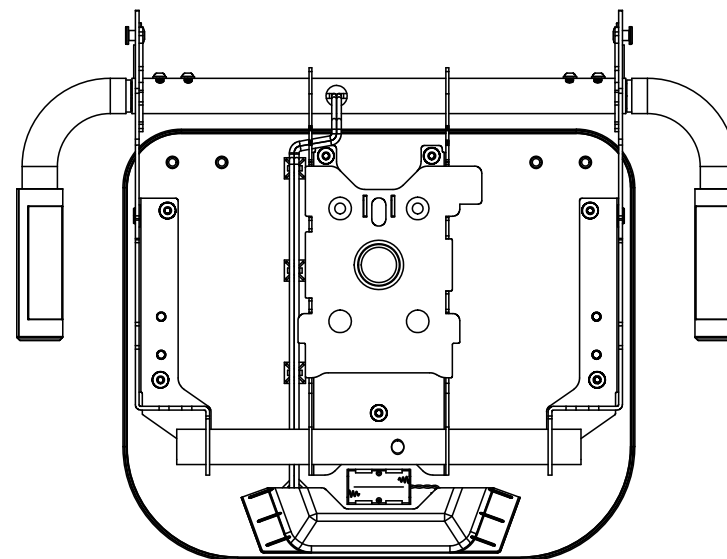
REV C

APP RAF

RELEASE DATE 7/11/16

Seat Group Figure 9 - Contact Heart Rate (Serial Number ≤ 109237)

ITEM NO.	PART NUMBER	DESCRIPTION	QTY.
1	50351	Screw - BHSC, M6x1.0x14, Class 10.9, Hex, Black Oxide, Patched	4
2	50558	BEARING PLATE	4
3	50559	WASHER, M6	4
4	51479	Service Kit - CHR Grip - RH T5 & T5XR SN <=109226	1
5	51480	Service Kit - CHR Grip - LH T5 & T5XR SN <=109226	1
6	51481	Service Kit - CHR Grip - Wide RH T5XR SN <=109237	1
7	51482	Service Kit - CHR Grip - Wide LH T5XR SN <=109237	1



SERVICE KITS MAY INCLUDE INSTRUCTIONS AND TOOLS



TITLE: T5 & T5XR PARTS MANUAL SEAT GROUP

DWG. NO. 51447

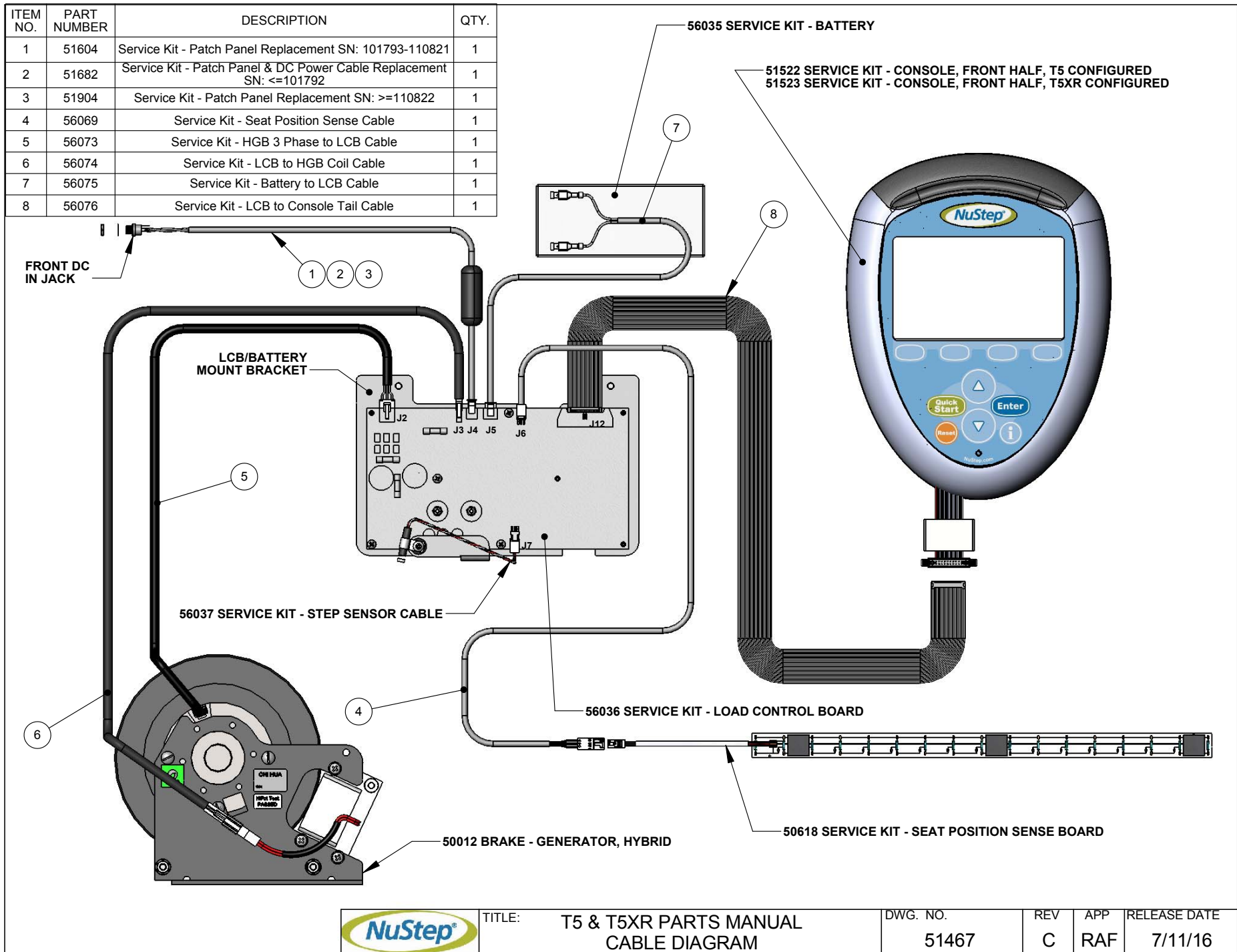
REV C

APP RAF

RELEASE DATE 7/11/16

Electronics Cable Diagram

ITEM NO.	PART NUMBER	DESCRIPTION	QTY.
1	51604	Service Kit - Patch Panel Replacement SN: 101793-110821	1
2	51682	Service Kit - Patch Panel & DC Power Cable Replacement SN: <=101792	1
3	51904	Service Kit - Patch Panel Replacement SN: >=110822	1
4	56069	Service Kit - Seat Position Sense Cable	1
5	56073	Service Kit - HGB 3 Phase to LCB Cable	1
6	56074	Service Kit - LCB to HGB Coil Cable	1
7	56075	Service Kit - Battery to LCB Cable	1
8	56076	Service Kit - LCB to Console Tail Cable	1



TITLE: T5 & T5XR PARTS MANUAL
CABLE DIAGRAM

DWG. NO. 51467

REV C

APP RAF

RELEASE DATE 7/11/16

NuStep, Inc.
5111 Venture Drive, Suite 1
Ann Arbor, MI 48108
U.S.A.
(800) 322-4434
(734) 769-4400
support@nustep.com
www.nustep.com



The information in this manual is the most current at the time of printing. Due to our commitment toward continuous improvement, specifications and descriptions are subject to change without notice. No part of this manual may be reproduced or transmitted in any form or by any means, electronic or mechanical, for any purpose without the express written permission of NuStep, Inc. © Copyright July 2016 by NuStep, Inc.

NuStep® and Transforming Lives® are registered trademarks of NuStep, Inc.

ISO 9001:2008 Registered

Manual PN 51500 NuStep T5 & T5XR Service Parts Manual, Rev C

