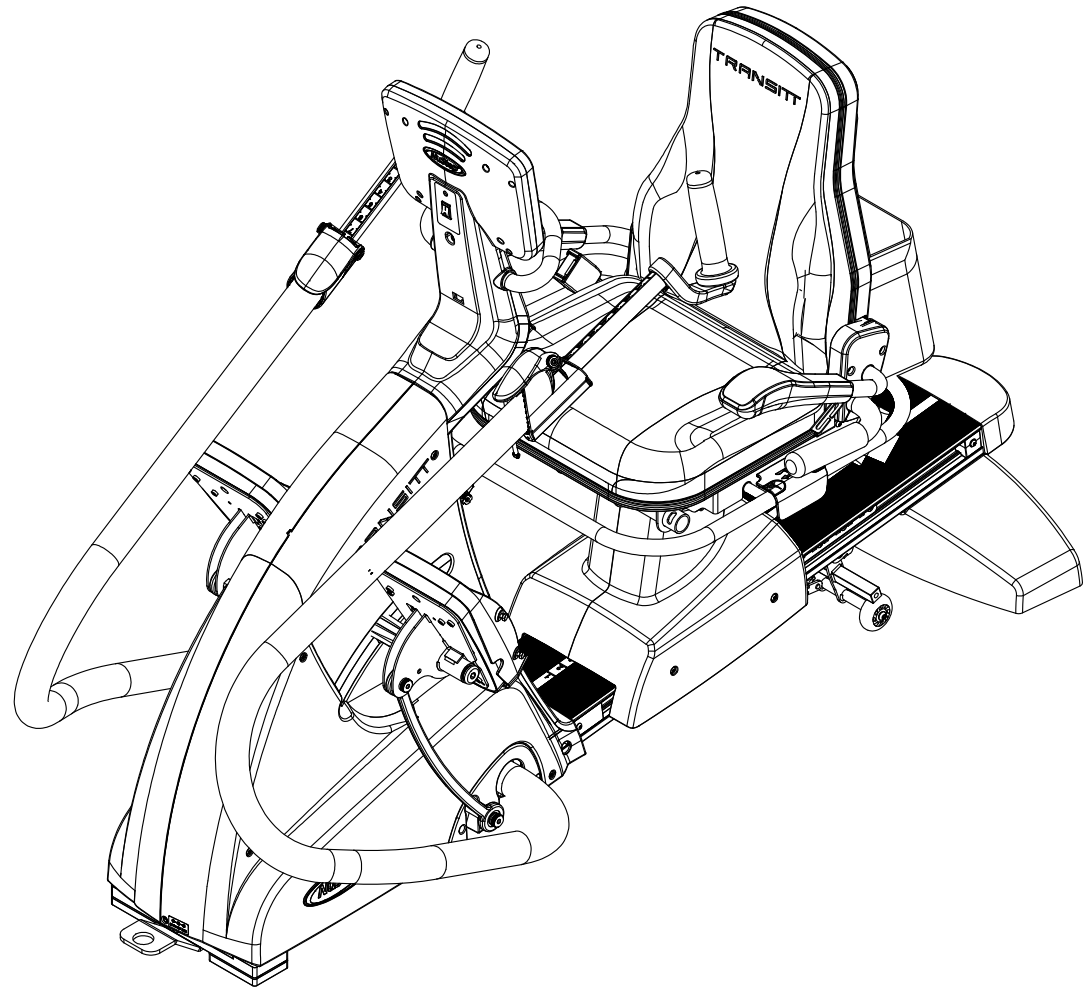


# NuStep<sup>®</sup> *Transitt*<sup>™</sup>

Real Time Bio Feedback System

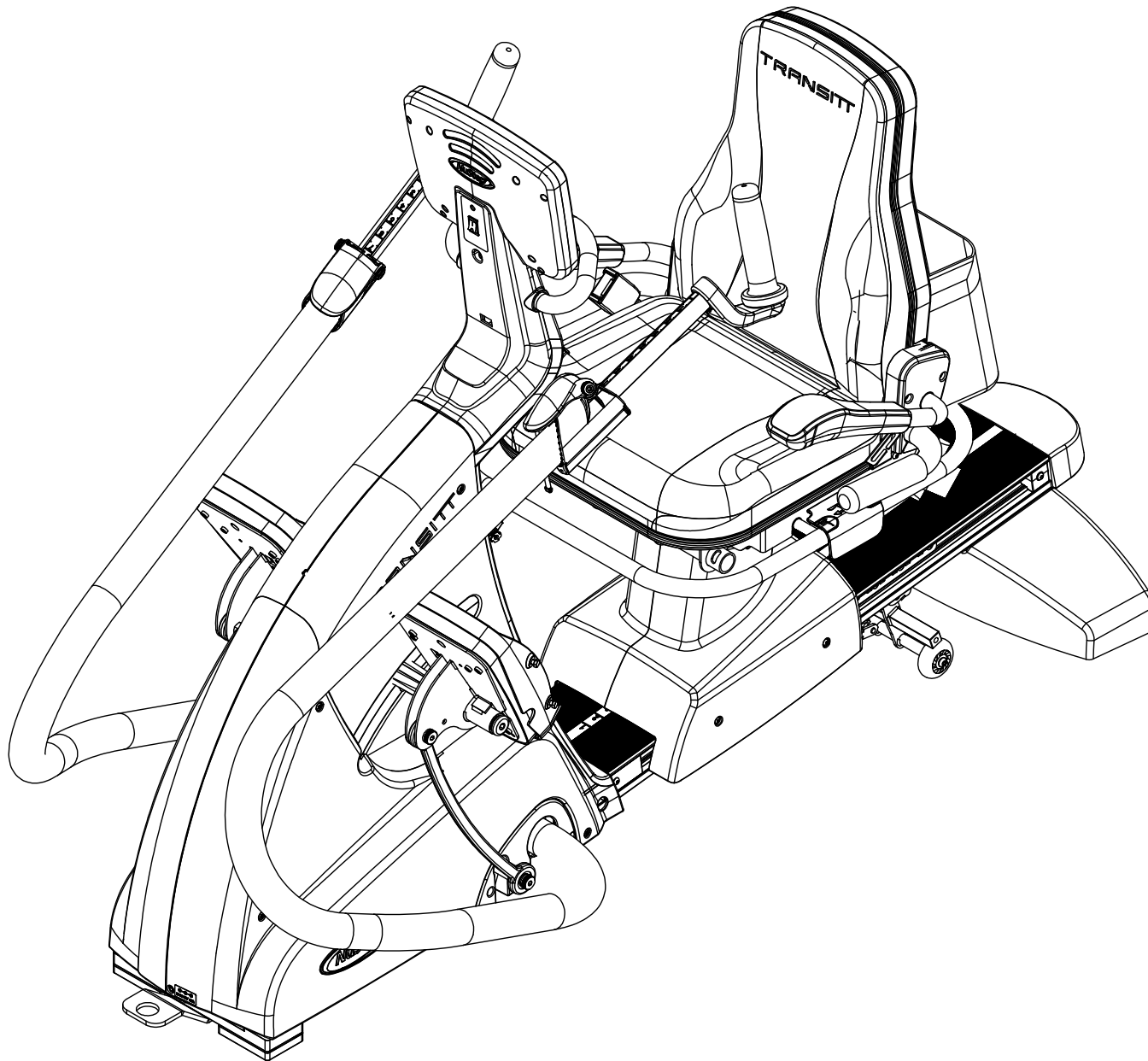
SERVICE PARTS MANUAL





# Contents

Transitt Assembled View	4
Front End Group	5
Seat Group	10
Console Group	17
Foot Pedal Group	20
Arms Group	23



TITLE: TRANSITT  
PARTS MANUAL

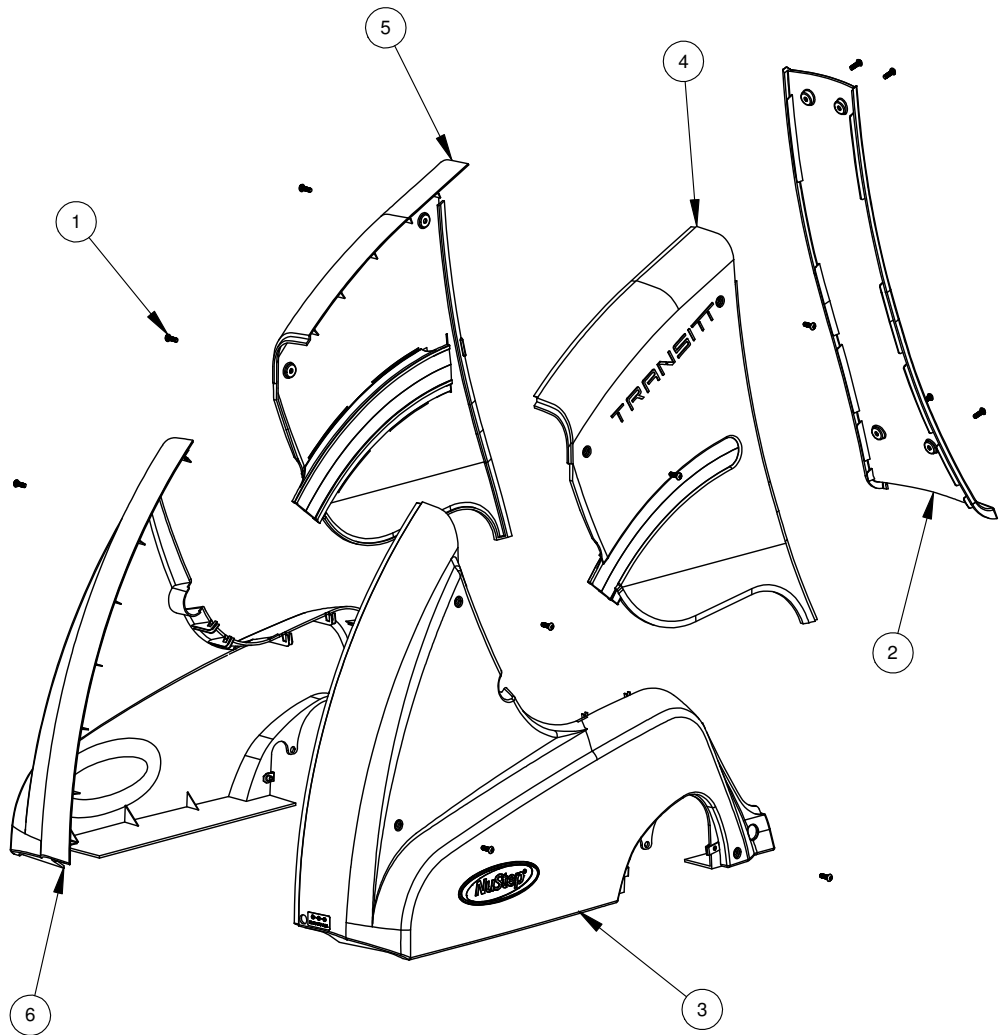
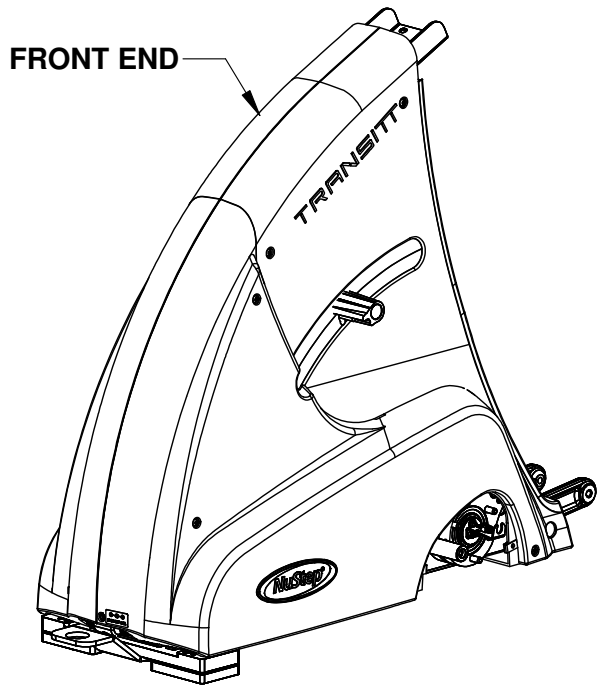
DWG. NO.  
58090

REV  
A

APP  
DCS

RELEASE DATE  
3/18/19

ITEM NO.	PART NUMBER	DESCRIPTION	QTY.
1	50704	Screw - BHSCS, M5x0.8x16, SS	14
2	58248	Service Kit - Front End Trim Cover, Transitt	1
3	58251	Service Kit - Cover, Front Lower, Transitt, LH	1
4	58252	Service Kit - Cover, Front Upper, Transitt, LH	1
5	58253	Service Kit - Cover, Front Upper, Transitt, RH	1
6	58254	Service Kit - Cover, Front Lower, Transitt, RH	1



TITLE: TRANSITT PARTS MANUAL  
FRONT END GROUP

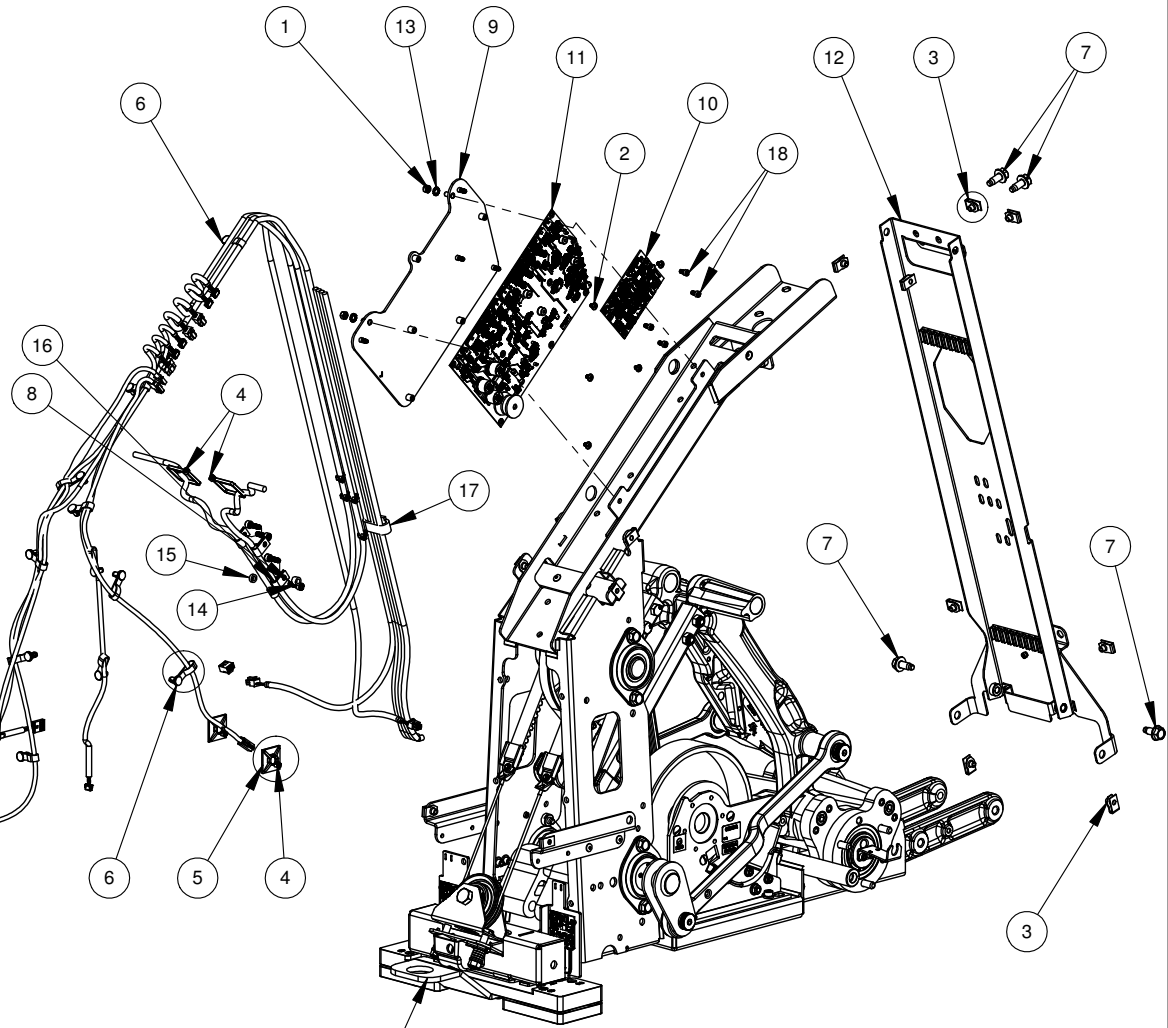
DWG. NO.  
58020

REV  
A

APP  
DCS

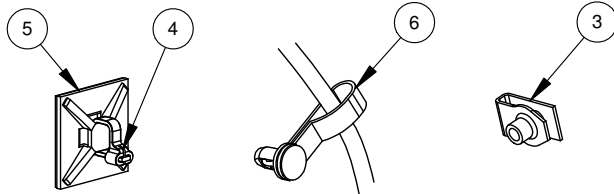
RELEASE DATE  
3/19/19

ITEM NO.	PART NUMBER	DESCRIPTION	QTY.
1	50605	NUT - NYLOCK, M5, ZINC	2
2	50608	Screw - PHP, M4x0.7px5, Zinc Plated	5
3	50670	ITW CIP N623331, U-Nut M5 x .8	8
4	50881	Cable Tie	8
5	50884	Cable Mounting Base T&B #MPNY-1000-0-C	2
6	51366	Cable Hanger - Richco CH-2-01	13
7	51426	Bolt - Hex Flange, M8x1.25px20, MATpoint, Magni 565 Plated	4
8	51909	Screw - SHCS M5x0.8x16, Class 12.9, Hex, Black Oxide	4
9	58270	Service Kit - LCAB Mount	1
10	58887	Service Kit - LCAB Mezz Board	1
11	58891	Service Kit - LCAB Main Board	1
12	58226	Service Kit - Frame Brace Assembly	1
13	59278	M5 Tooth Lock Washer	2
14	59751	Standoff M5x.250	1
15	59752	Standoff M5x.125	1
16	59834	Clamp - .25x.5x10-32	4
17	59942	Tie Strap - 6 in	1
18	59969	Screw- SHCS, M4X0.7X8, Zinc	4



SEE DWG. NO. 59561  
FOR CABLES

SEE DWG.  
NO. 58022



TITLE: TRANSITT PARTS MANUAL  
FRONT END GROUP

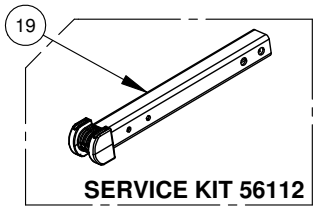
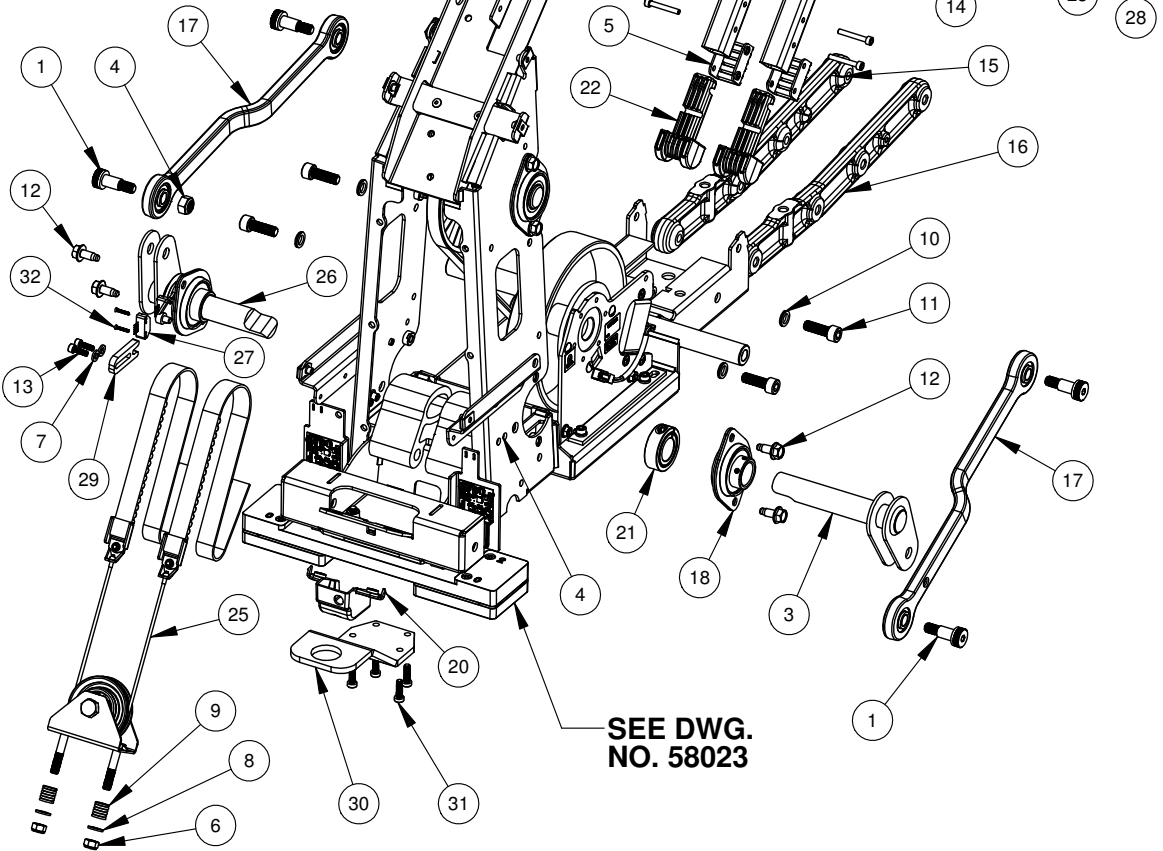
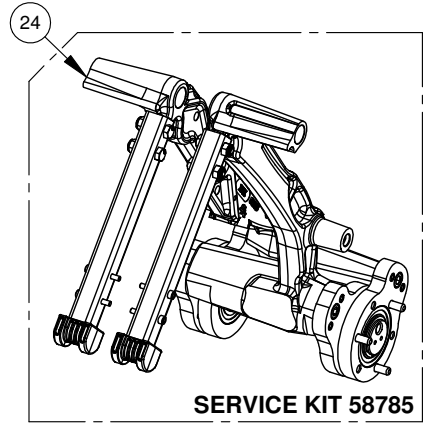
DWG. NO.  
58021

REV  
A

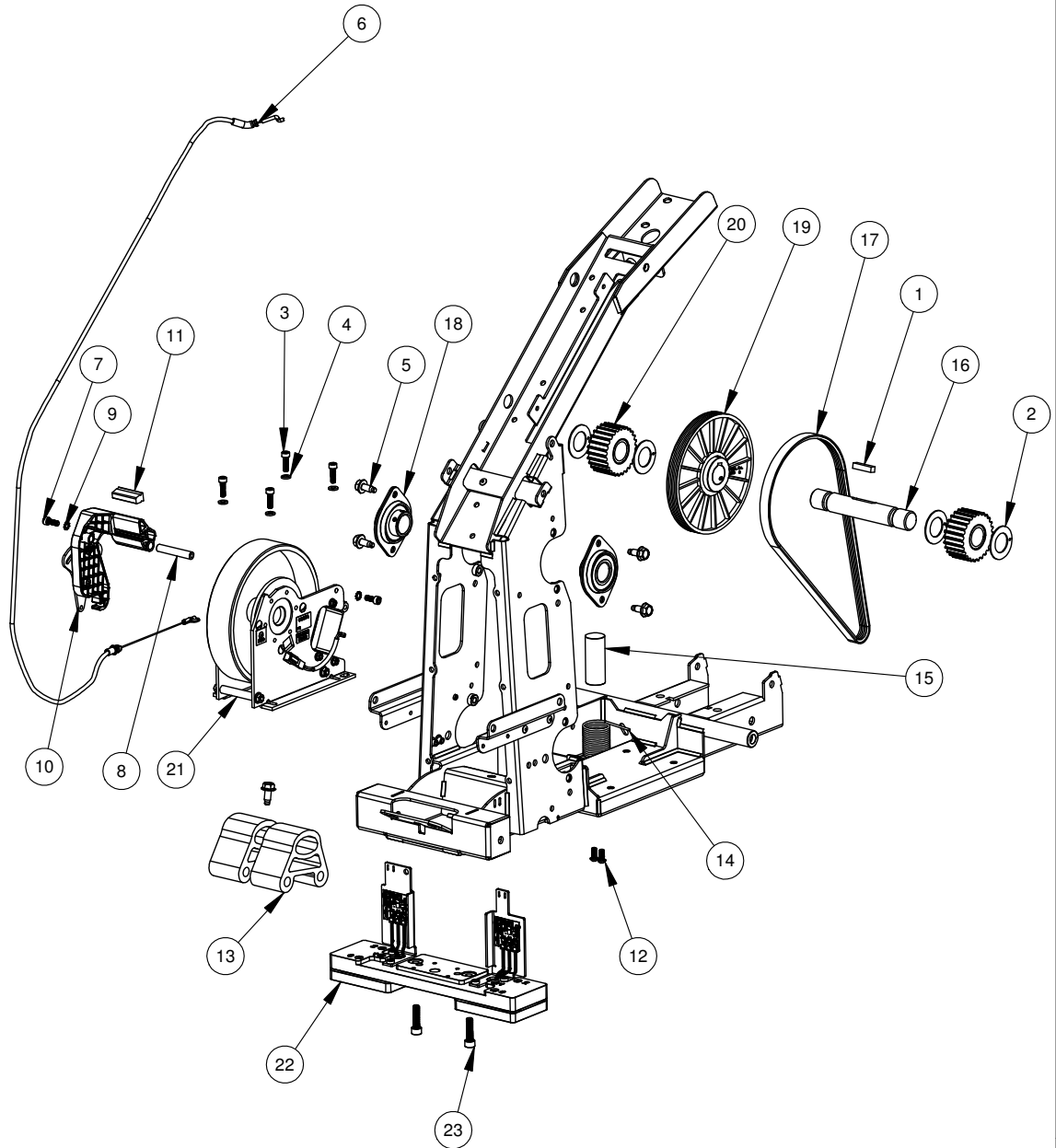
APP  
DCS

RELEASE DATE  
3/19/19

ITEM NO.	PART NUMBER	DESCRIPTION	QTY.
1	50061	Screw, Shoulder - SHSS, 12MM x 20MM, Class 12.9, Patched	4
2	50155	Screw-SHCS, M5x0.8x35, Hex, Black	4
3	50299	Weldment - Bilateral Crank Half	1
4	50417	Nut - Locking, Nylon Insert, M10x1.5, DIN 985, Zinc Plated	2
5	50480	Assembly - Belt Clamp	2
6	50546	Nut - Locking, Nylon Insert, M8x1.25, DIN 985, Zinc Plated	6
7	50708	Washer - Flat, Narrow, M6	2
8	50847	Washer - M8, DIN 125	2
9	50940	Spring - SPEC #C0600-092-0880-M	2
10	50990	Washer - Pair, Nord Lock NL10, Zinc	6
11	50991	Screw - SHC, M10x1.5px30, Class 12.9, Hex, Black Oxide	6
12	51426	Bolt - Hex Flange, M8x1.25px20, MATpoint, Magni 565 Plated	5
13	51909	Screw - SHCS M5x0.8x16, Class 12.9, Hex, Black Oxide	2
14	51976	Screw - Hex Cap - M8x1.25x35 - DIN 931 - Class 10.9 - Zinc Plated	4
15	51985	Bar - Frame Joint - Machined RH	1
16	51986	Bar - Frame Joint - Machined LH	1
17	56030	Service Kit - Bilateral Connecting Link	2
18	56110	Service Kit - Flanged Bearing	1
19	56112	Service Kit - Sickle Tube & Guard	2
20	56113	Service Kit - Power Patch Mount	1
21	56114	Service Kit - Bilateral Coupling	1
22	56116	Service Kit - Timing Belt Guard	2
23	58152	Service Kit - Main Shaft Strain Relief Bracket	2
24	58785	Service Kit - Sickles Assembly	1
25	58786	Service Kit - Belt Tensioner Assembly	1
26	58950	Service Kit - Optical Sensor Crank Assembly	1
27	58952	Service Kit - Optical Sensor	1
28	59136	Screw - SHSC, M5x.8x10, Class 12.9, Hex	4
29	59351	Bracket - Optical Sensor V Block	1
30	59870	Plate - Front Hitch	1
31	59871	Screw - SHCS, M6x1x20, Low-Profile Hex, Class 8.8, Black Zinc	4
32	59958	Screw - 348x58 Mach, PN HD PH, 316SS	2



ITEM NO.	PART NUMBER	DESCRIPTION	QTY.
1	50024	Key - Drive Shaft	1
2	50427	IGUS Thrust Washer GTM-2644-015	4
3	50707	Screw - SHCS, M6x1.0px20,Hex, Black Oxide, Class 12.9, Patched	4
4	50708	Washer - Flat, Narrow, M6	4
5	51426	Bolt - Hex Flange, M8x1.25px20, MATpoint, Magni 565 Plated	5
6	51802	Service Kit - StrideLock Cable Assembly	1
7	51803	Screw - SHCS, M6x1.0x16,Hex, Black Oxide, Class 12.9	2
8	51808	Shaft - Standoff Generator - T5	1
9	51809	Washer - Serrated Lock, M6	2
10	51893	Service Kit - StrideLock Brake Assembly	1
11	51907	Service Kit - Brake Pad	1
12	51908	Screw - BHSC, M6x1.0x14, Patched	2
13	56044	Service Kit - Pedal Bumper	1
14	56049	Service Kit - StrideLock Torsion Spring	1
15	56050	Service Kit - StrideLock Brake Arbor	1
16	56108	Service Kit - Main Drive Shaft	1
17	56109	Service Kit - Poly V Belt	1
18	56110	Service Kit - Flanged Bearing	2
19	56111	Service Kit - Poly V Pulley	1
20	56115	Service Kit - Drive Sprocket T5 & T5XR	2
21	58203	Service Kit - Resistance Brake, Transitt	1
22	58851	Service Kit - Front Weight Module	1
23	59860	Screw - SHCS, M8-1.25x30 ISO 5g6g, 12.9, Hex, Black Zinc	2



TITLE: TRANSITT PARTS MANUAL  
FRONT END GROUP

DWG. NO. 58023

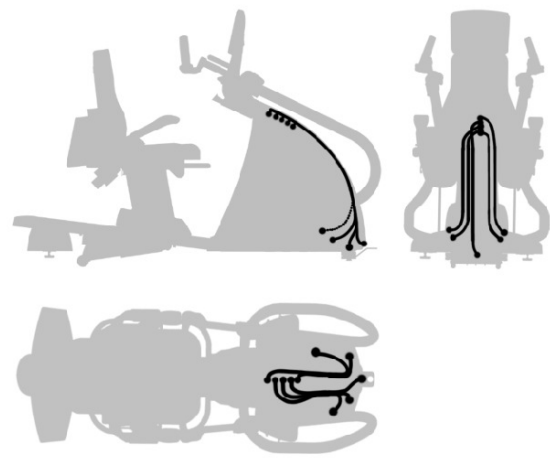
REV A

APP DCS

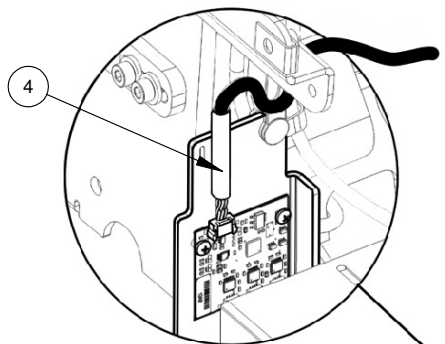
RELEASE DATE 3/19/19



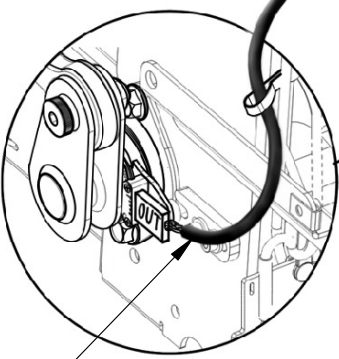
CABLE NO.	PART NUMBER	DESCRIPTION	QTY.
1	56117	Service Kit - LCB to HGB Coil Cable Assembly	1
2	56113	Service Kit - Power Patch Panel	1
3	58918	Service Kit - Optical Encoder Cable	1
4	58922	Service Kit - RH Front Weight Cable	1
5	58921	Service Kit - LH Front Weight Cable	1



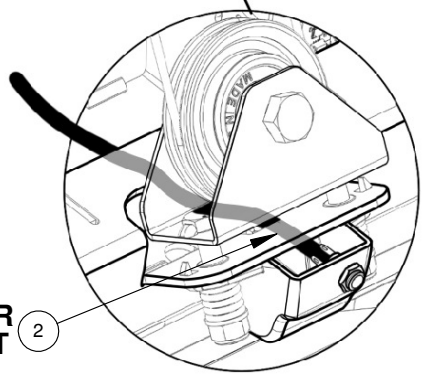
**WEIGHT FRONT RH**



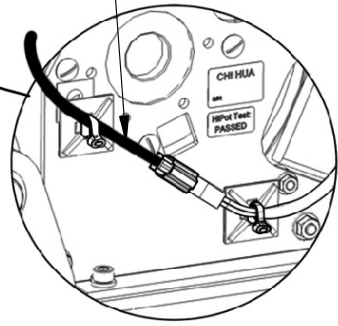
**OPTICAL ENCODER**



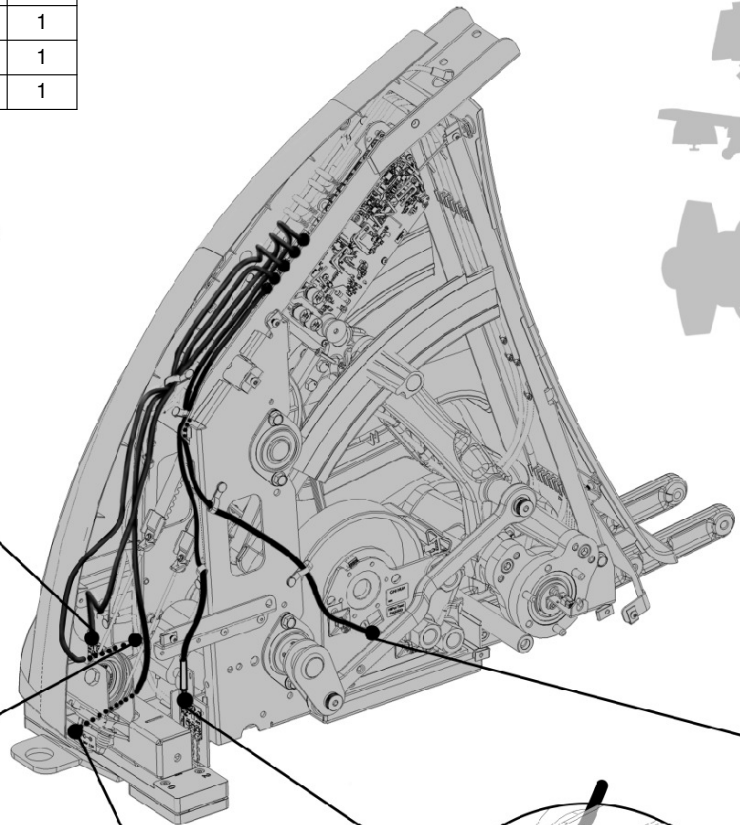
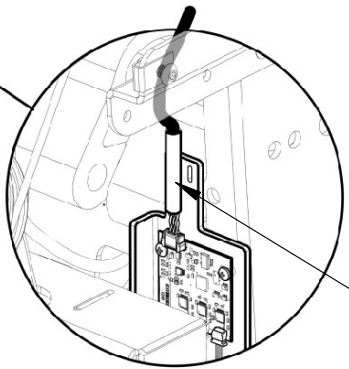
**POWER FRONT**



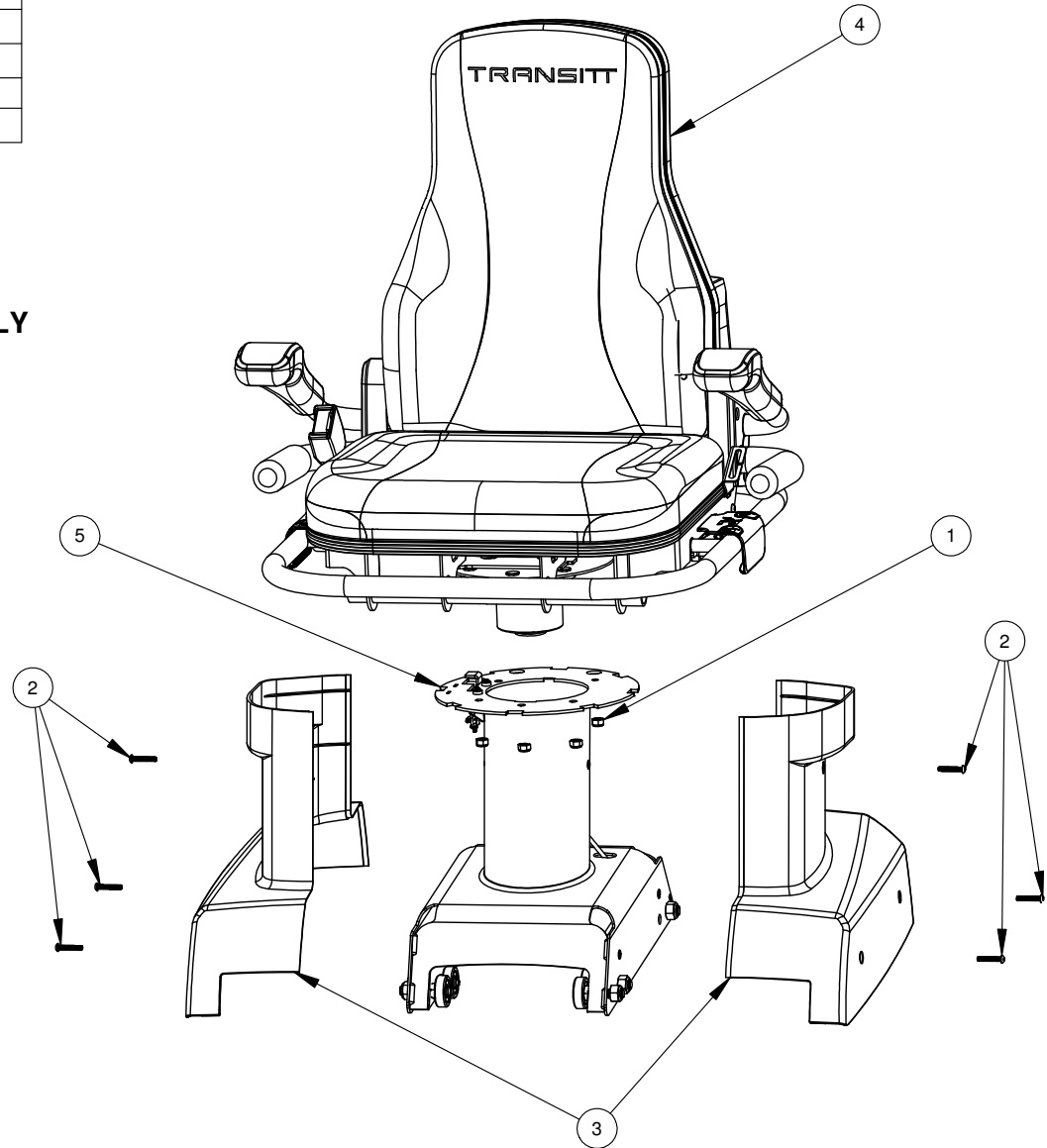
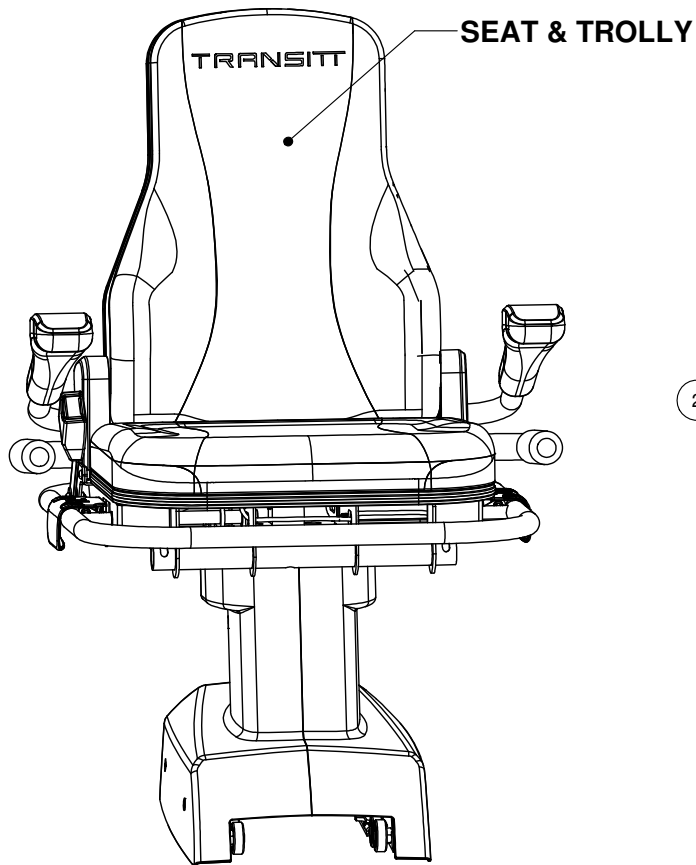
**1 BRAKE**



**5 WEIGHT FRONT LH**



ITEM NO.	PART NUMBER	DESCRIPTION	QTY.
1	50546	Nut - Locking, Nylon Insert, M8x1.25, DIN 985, Zinc Plated	5
2	50705	Screw - BHSC, M5x0.8px30. Hex, SS	6
3	56103	Service Kit - Trolley Covers Transitt	1
4	58300	Service Kit - Seat Transitt	1
5	58302	Service Kit- Trolley Assembly, Transitt	1



TITLE: TRANSITT PARTS MANUAL  
SEAT GROUP

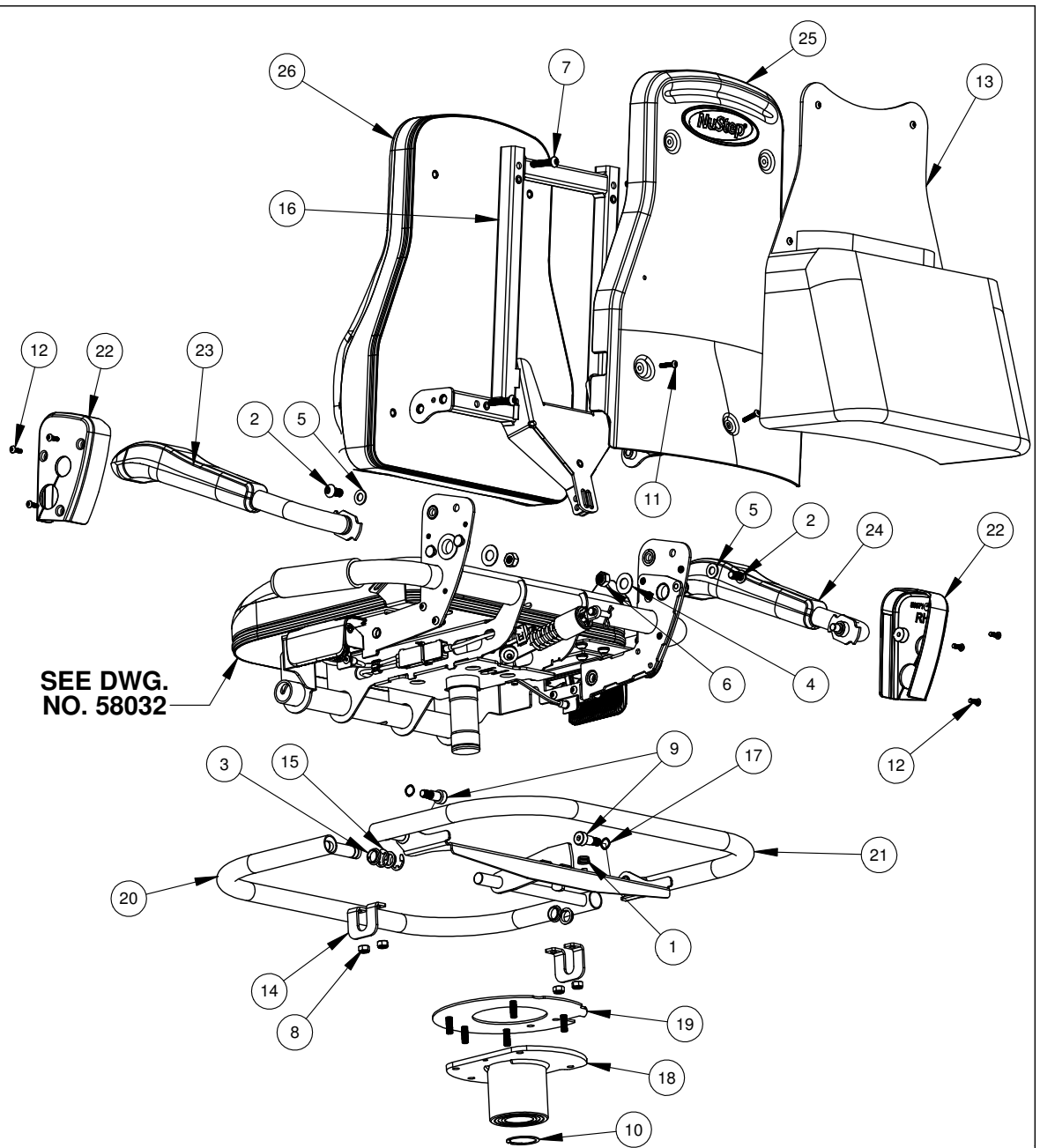
DWG. NO.  
58030

REV  
A

APP  
DCS

RELEASE DATE  
3/19/19

ITEM NO.	PART NUMBER	DESCRIPTION	QTY.
1	41142	Spring - Rear Seat Lever	1
2	50076	Screw - BHSC, M10x1.5x20, Class 10.9, Hex, Black, Patched	2
3	50348	Bushing, Igus MCI-10-02	4
4	50378	Washer - Belleville, 0.567" ID, 410 lbs	2
5	50383	Washer, M10x2.0	2
6	50417	Nut - Locking, Nylon Insert, M10x1.5, DIN 985, Zinc Plated	2
7	50511	Screw - BHSC, M8x1.25x40, Hex, Black	4
8	50546	Nut - Locking, Nylon Insert, M8x1.25, DIN 985, Zinc Plated	4
9	50564	Screw - Socket, Shoulder, M12x1.5x16	2
10	50575	Snap Ring - Waldes Truars 5108-150	1
11	50698	Screw - BHSC, M5x0.8x25, Hex, SS	5
12	50704	Screw - BHSCS, M5x0.8x16, SS	8
13	50748	Accessory - Bag Storage	1
14	50872	Bracket - Seat Release Shaft	2
15	50874	E-Clip, Waldes Truarc #5133-62	2
16	51413	Service Kit - Frame, Seat Back	1
17	52204	Washer - Wave Spring	2
18	56067	Service Kit - Bearing Cartridge Assembly	1
19	56068	Service Kit - Seat Stud Plate	1
20	56105	Service Kit - Seat Track Release Lever	1
21	58319	Service Kit - Seat Swivel Lever	1
22	58368	Service Kit - Seat Riser Covers	1
23	58369	Service Kit - Transitt Armrest LH	1
24	58370	Service Kit - Transitt Armrest RH	1
25	58373	Service Kit - Cover Seat Back Transitt	1
26	58375	Service Kit - Seat Back Pad Transitt	1



TITLE: TRANSITT PARTS MANUAL  
SEAT GROUP

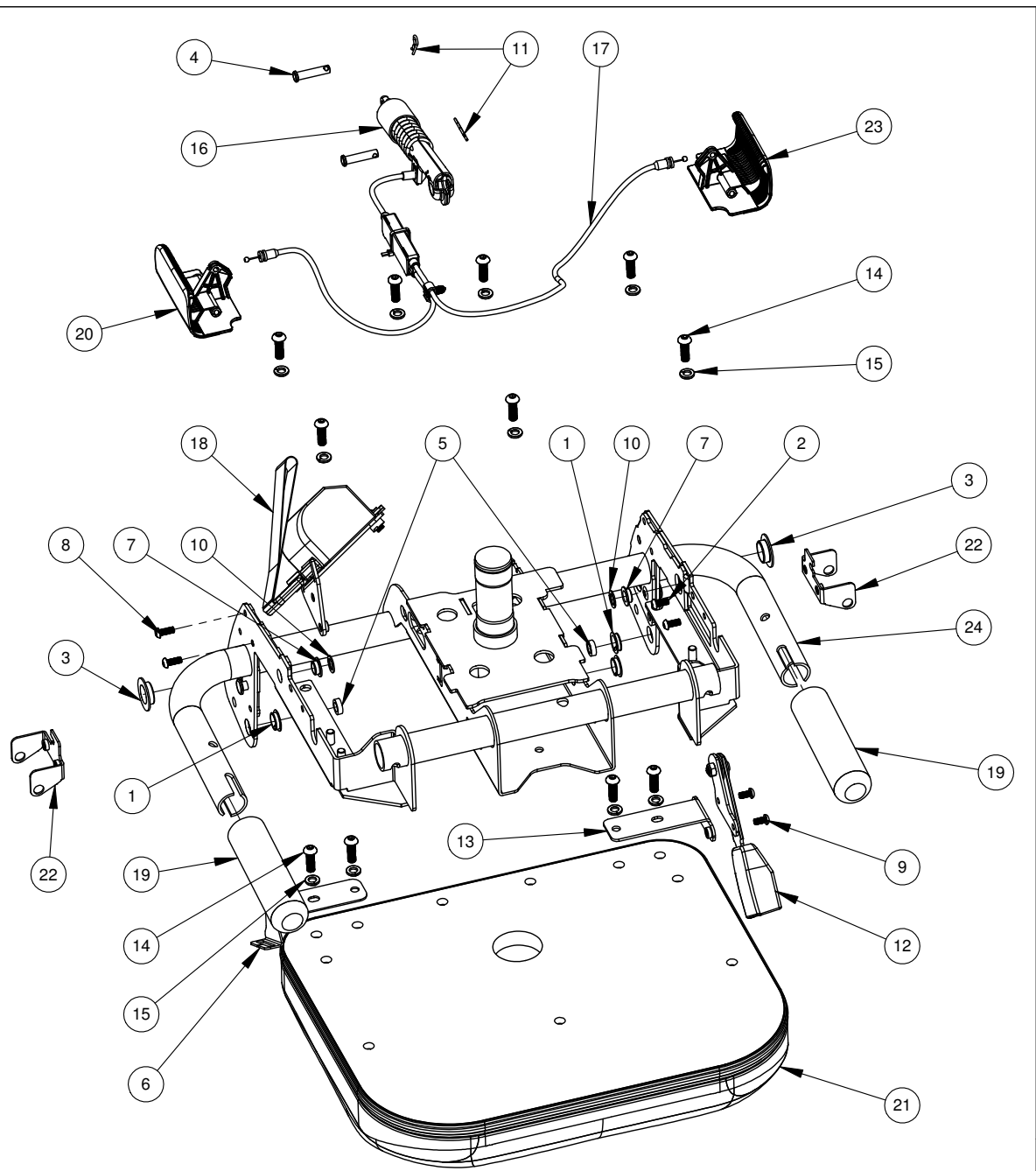
DWG. NO.  
58031

REV  
A

APP  
DCS

RELEASE DATE  
3/19/19

ITEM NO.	PART NUMBER	DESCRIPTION	QTY.
1	50348	Bushing, Igus MCI-10-02	3
2	50351	Screw - BHSC, M6x1.0x14, Class 10.9, Hex, Black Oxide, Patched	2
3	50377	Bearing - Flange, 20mm x 8.25mm	2
4	50379	Pin - Clevis, Standard, 5/16 OD x 1 3/8	2
5	50382	Spacer- Back Frame Pivot	2
6	50395	Bracket - Lap Belt Guide	1
7	50563	Bushing - Igus GFM-1214-06	2
8	50565	Screw - BHSC, M6x1.0x16, Class 10.9, Hex, Black Oxide	2
9	50603	Screw - BHSC, M6x1.0px12, Class 10.9, Hex, Black Oxide	2
10	50877	Washer - Shim, DIN 988, Spring Steel, 12mm IDx18mmODx1mm Thick	2
11	50927	Cotter Pin, Hairpin Style, Steel, Zinc	2
12	51589	ASSEMBLY - Lap Buckle, Lower, T5	1
13	51600	ASSEMBLY - Lap Buckle Mount, Upper	1
14	51756	Screw - BHSC, M8x1.25x25, Class 10.9, Hex, Black Oxide, VC-3 Patched	11
15	51757	Washer - M8 Split Lock, Zinc	11
16	56106	Service Kit - Recline Mech Transitt	1
17	58217	Service Kit - Dual Seat Recliner Cable	1
18	58311	Service Kit - Lap Belt Transitt	1
19	58352	Service Kit - Side Grab Handle Transitt	2
20	58372	Service Kit - Seat Recline Lever LH	1
21	58376	Service Kit - Seat Cushion Replacement Transitt	1
22	58388	Service Kit - Recline Handle Bracket	2
23	58393	Service Kit - Seat Recline Lever RH	1
24	59320	Weldment - Cushion Frame, Narrow	1



TITLE: TRANSITT PARTS MANUAL  
SEAT GROUP

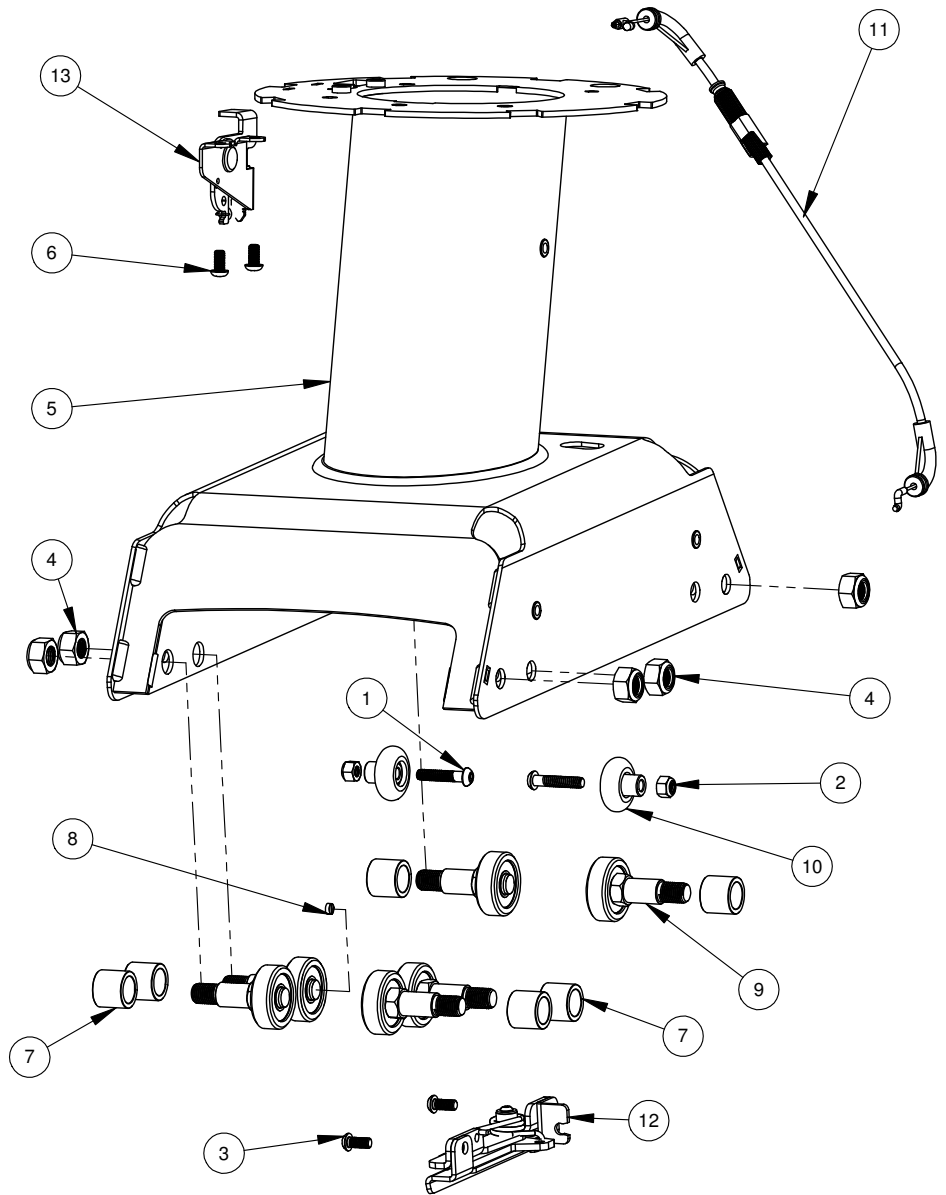
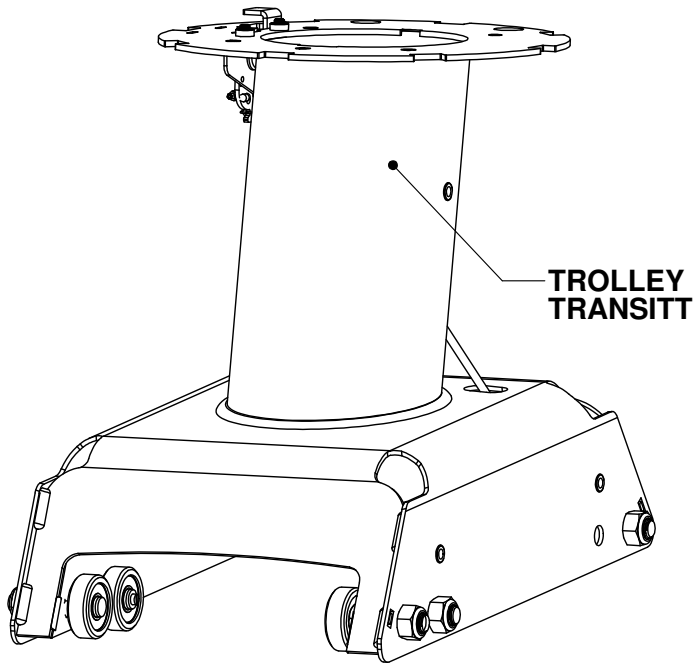
DWG. NO.  
58032

REV  
A

APP  
DCS

RELEASE DATE  
3/19/19

ITEM NO.	PART NUMBER	DESCRIPTION	QTY.
1	41018	SCREW - BHCS G8 1/4-20 X 1-1/4	2
2	41222	Nut, 1/4-20, Nylock, Black Zinc	2
3	50351	Screw - BHSC, M6x1.0x14, Class 10.9, Hex, Black Oxide	2
4	50544	Nut - Locking, Nylon Insert, M12x1.25p, DIN 985, Zinc Plated	6
5	50551	Weldment - Trolley	1
6	50603	Screw - BHSC, M6x1.0px12, Class 10.9, Hex, Black Oxide	2
7	50852	Spacer - Trolley Wheel	6
8	51473	Service Kit - Sensor Magnet Replacement	1
9	51936	Service Kit - Seat Wheel	6
10	51937	Service Kit - Seat Drag Wheel	2
11	56051	Service Kit - Rail Latch Release Cable SN>=101370	1
12	56052	Service Kit - Rail Latch Assembly	1
13	56053	Service Kit - Rail Latch Cable Lever	1



TITLE: TRANSITT PARTS MANUAL  
SEAT GROUP

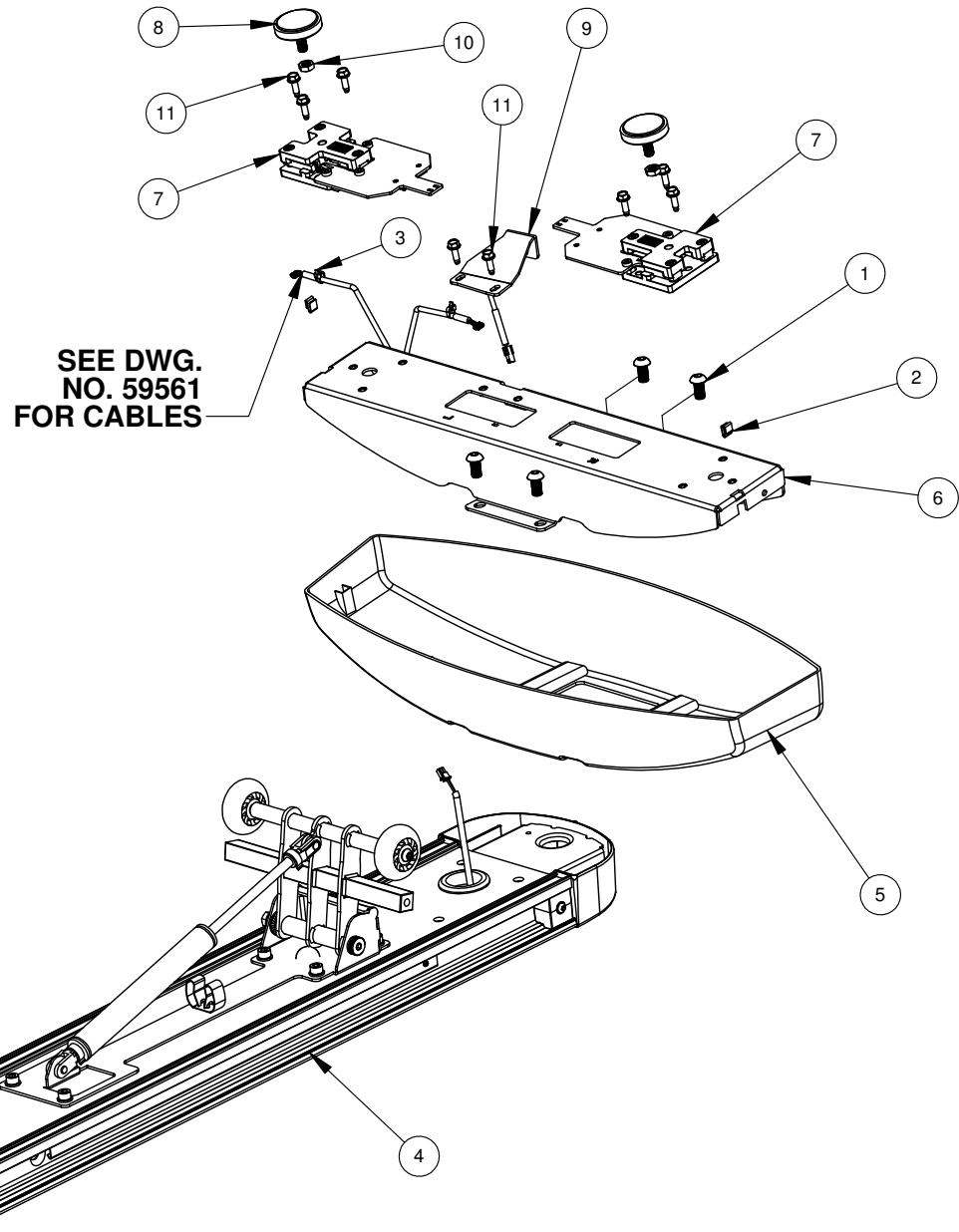
DWG. NO.  
58033

REV  
A

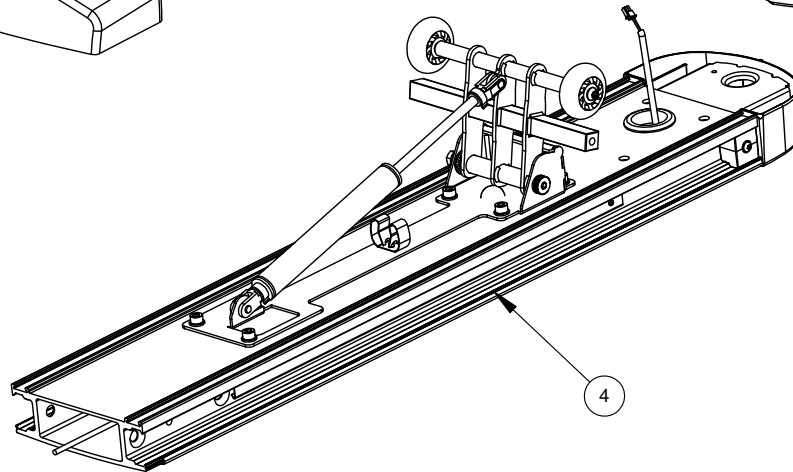
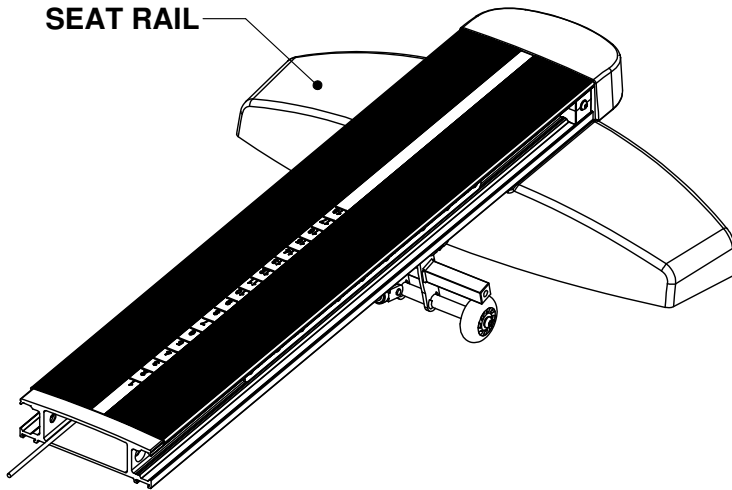
APP  
DCS

RELEASE DATE  
3/19/19

ITEM NO.	PART NUMBER	DESCRIPTION	QTY.
1	50076	Screw - BHSC, M10x1.5x20, Class 10.9, Hex, Black, Patched	4
2	50716	S Clip	2
3	50881	Cable Tie	2
4	58802	Service Kit - Seal Rail Assembly	1
5	58809	Service Kit - Rear Support Cover	1
6	58812	Service Kit - Back Bracket Assembly	1
7	58813	Service Kit - Back Weight Module	2
8	58816	Service Kit - Back Weight Foot	2
9	58830	Service Kit - Power Connect Assembly	1
10	59836	Nut - Hex, 3/8"-16 x 9/16 x 7/32, Grade 5	2
11	59862	Bolt - Hex Flange, M6x1.0px20, MATpoint	8



SEAT RAIL



TITLE: TRANSITT PARTS MANUAL SEAT GROUP

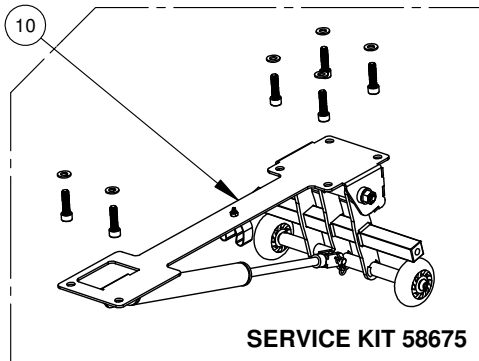
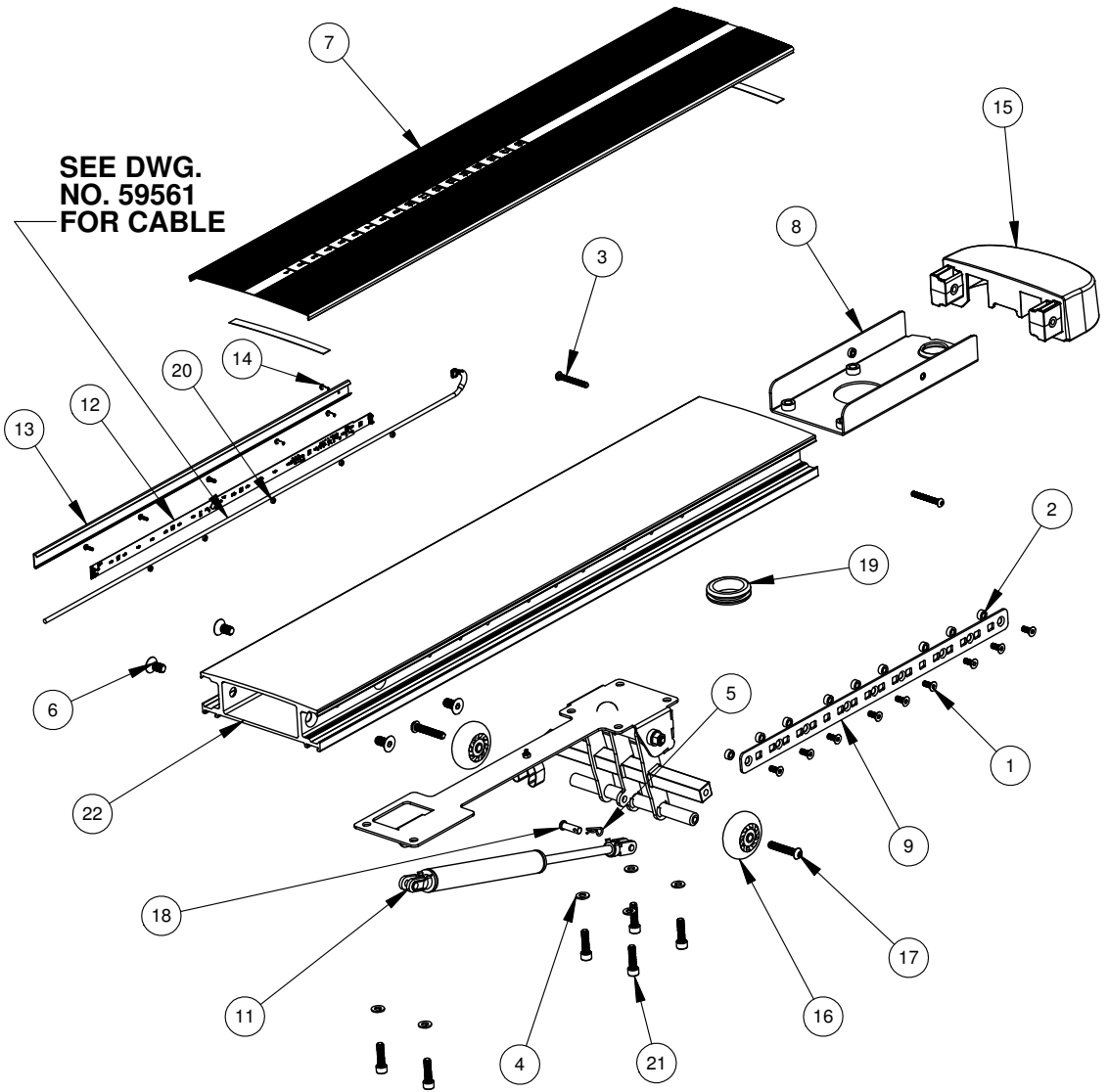
DWG. NO. 58080

REV A

APP DCS

RELEASE DATE 3/19/19

ITEM NO.	PART NUMBER	DESCRIPTION	QTY.
1	50184	Screw - FHSC, M6x1.0x16, Grade 10.9, Hex, Black	9
2	50534	Spacer - Rail Latch Window Bracket	9
3	50623	Screw - BHSC, M6x1.0px45, Class 10.9, Hex, Black Zinc, Patched	2
4	50847	Washer - M8, DIN 125	6
5	50927	Cotter Pin, Hairpin Style, Steel, Zinc	1
6	50950	Screw - FHSC, M10x1.5x20, Class 10.9, Hex, Black Zinc, Patched	4
7	56015	Service Kit - Seat Rail Trim Cover	1
8	56102	Service Kit - Nut Plate - Rear Support Mtg.	1
9	58361	Service Kit - Rail Latch Plate	1
10	58675	Service Kit - Rear Wheels	1
11	58678	Service Kit - Rear Wheel Dampener	1
12	58898	Service Kit - Seat Position PCB	1
13	59131	Extrusion - Plastic Seat PCA Mount	1
14	59134	SCREW - PHPS, M3x.5x10, Steel, Zinc	6
15	59275	BUMPER - SEAT RAIL, REAR	1
16	59677	Wheel - Polyurethane, 4-5/16 x 15/16, Plastic	2
17	59694	Screw - BHSC .3125-18 X 1.75, Hex, Zinc Plated Steel	2
18	59698	Clevis Pin - .3125 x .75	1
19	59828	Grommet - 1.50X2.125X.5625, SBR Rubber, Black	1
20	59829	Standoff - M3x.090 ,0.144ID, PCV 94V-0	5
21	59860	Screw - SHCS, M8-1.25x30 ISO 5g6g, 12.9, Hex, Black Zinc	6
22	59952	Assembly - Toe Strap	1



TITLE: TRANSITT PARTS MANUAL  
SEAT GROUP

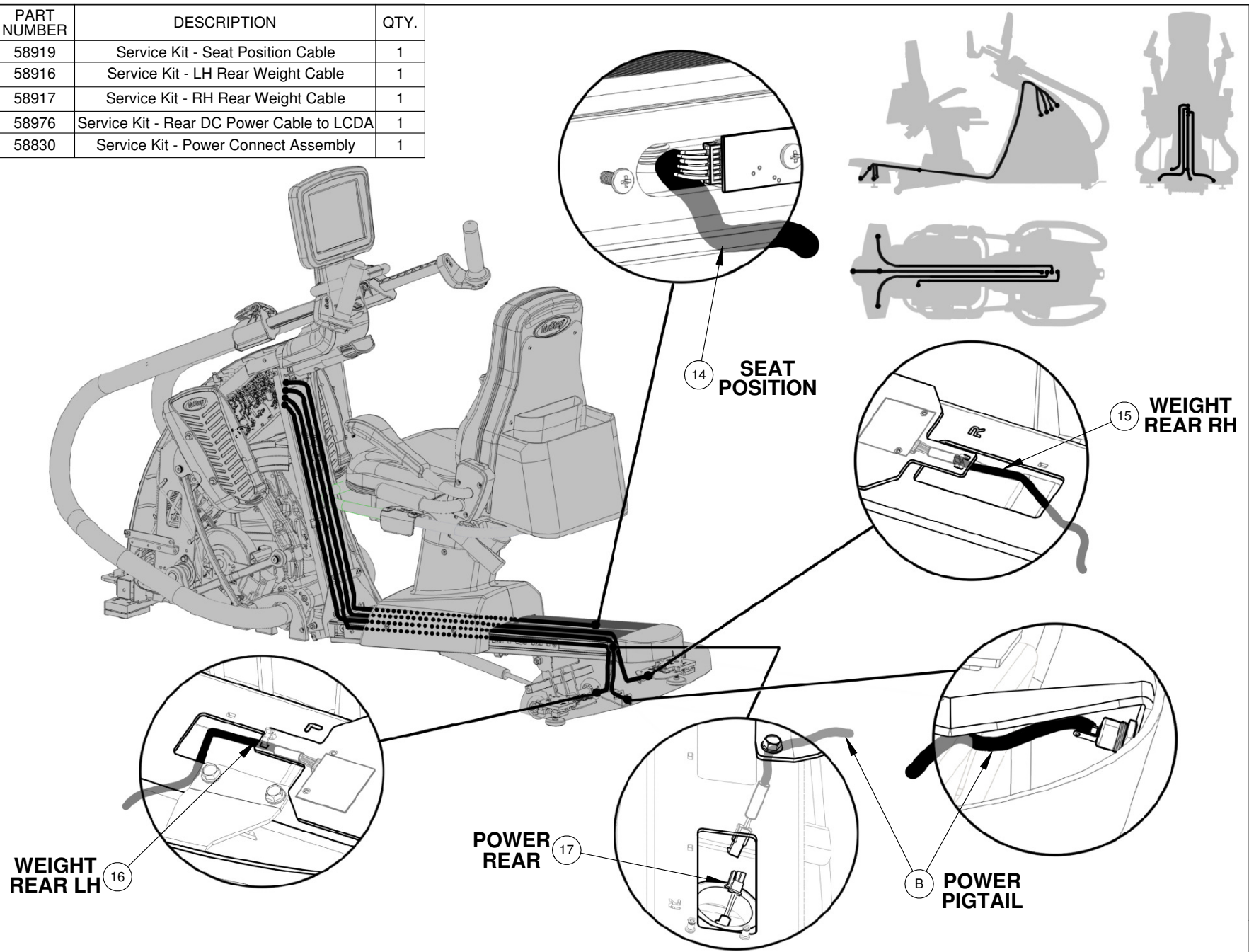
DWG. NO.  
58081

REV  
A

APP  
DCS

RELEASE DATE  
3/19/19

CABLE NO.	PART NUMBER	DESCRIPTION	QTY.
14	58919	Service Kit - Seat Position Cable	1
16	58916	Service Kit - LH Rear Weight Cable	1
15	58917	Service Kit - RH Rear Weight Cable	1
17	58976	Service Kit - Rear DC Power Cable to LCDA	1
B	58830	Service Kit - Power Connect Assembly	1



TITLE: TRANSITT PARTS MANUAL  
SEAT CABLES

DWG. NO.  
58082

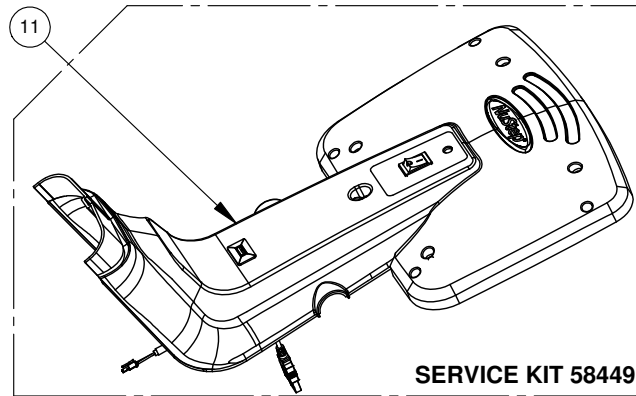
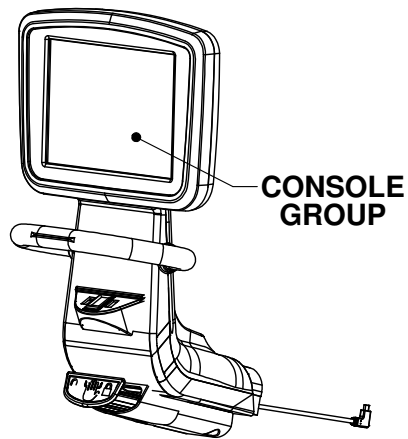
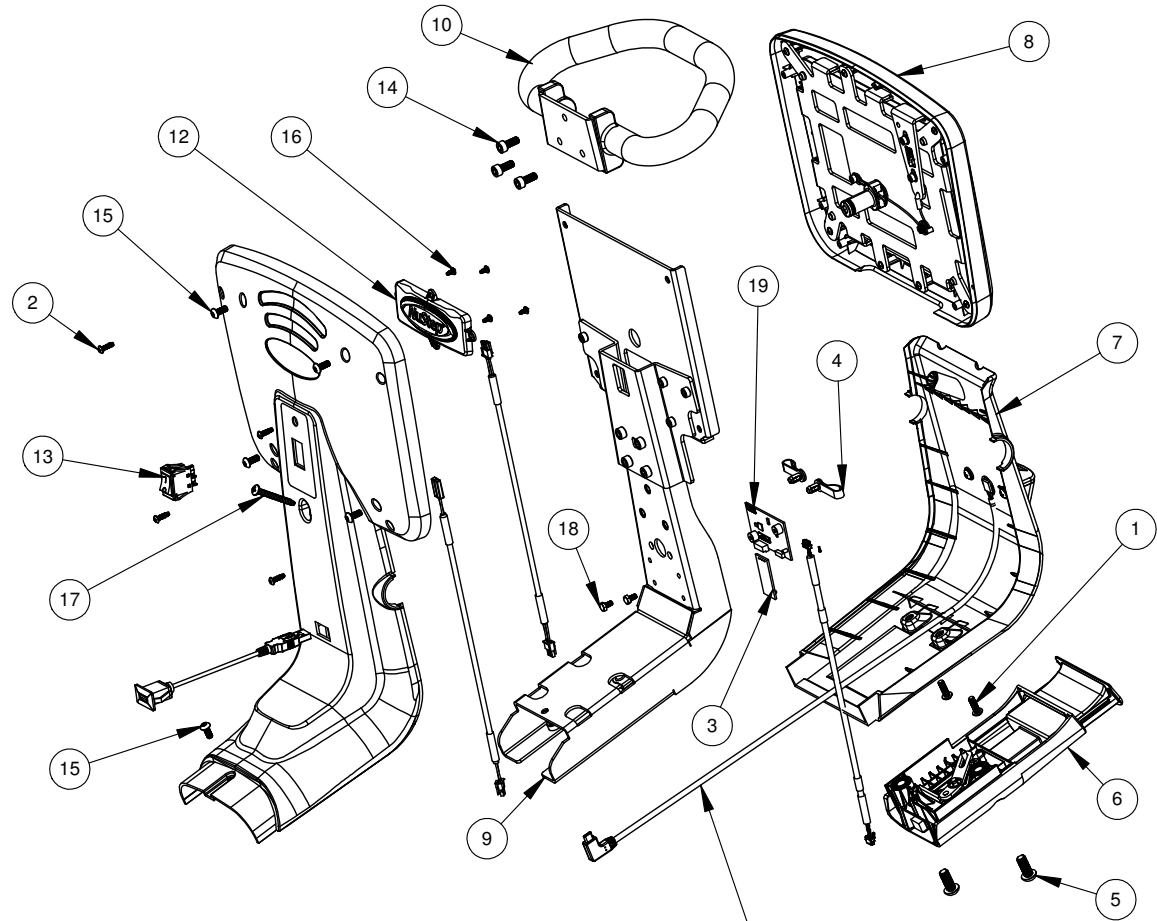
REV  
A

APP  
DCS

RELEASE DATE  
3/20/19

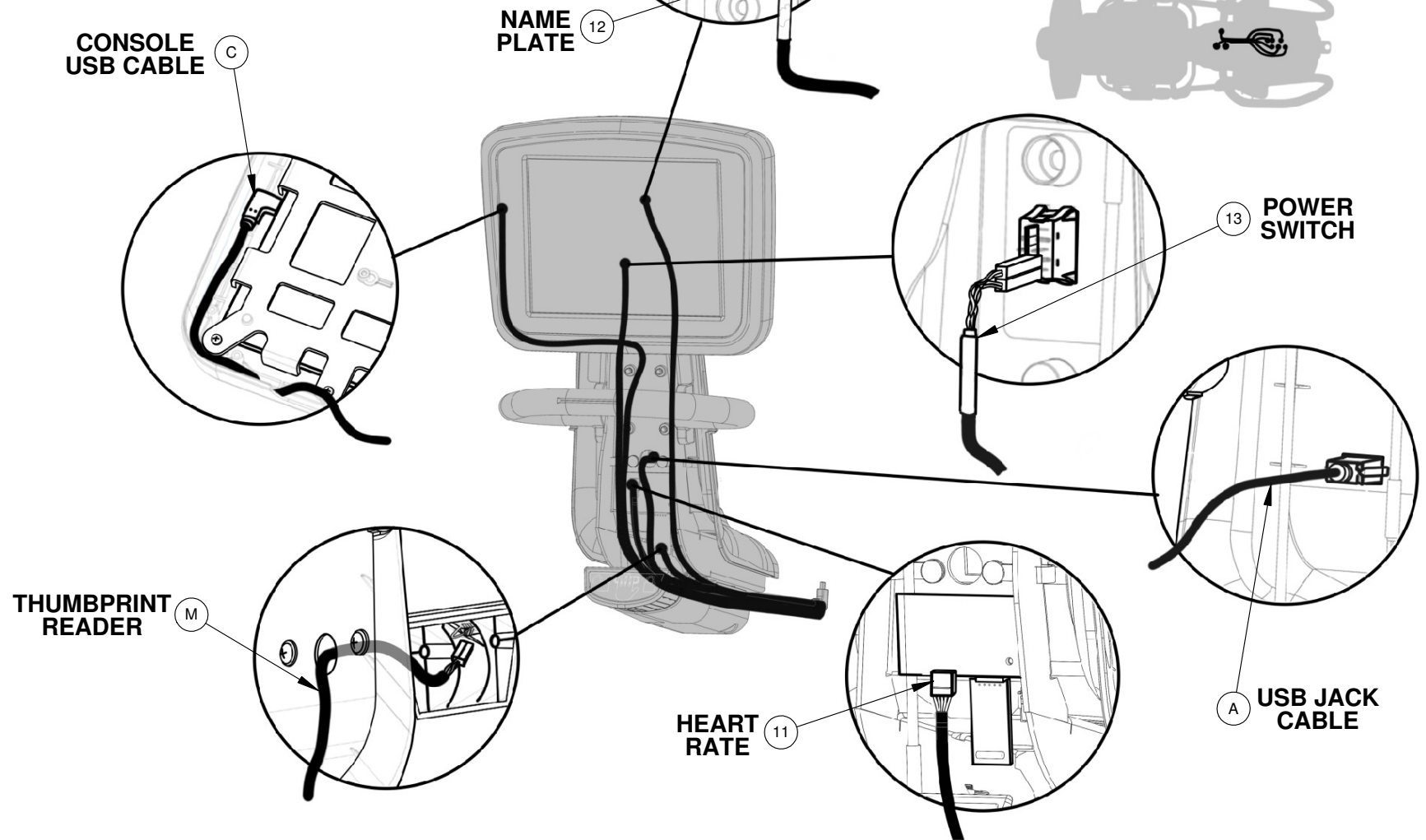
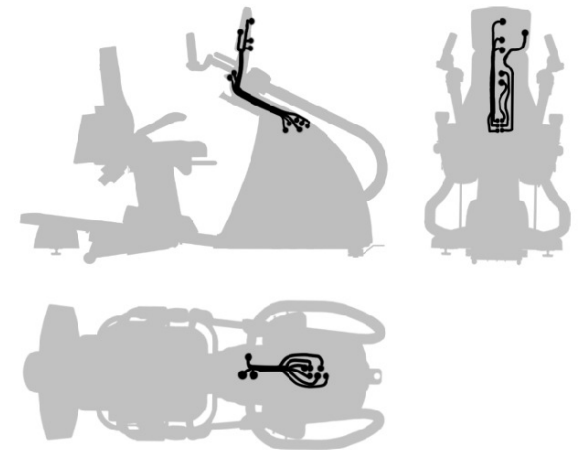


ITEM NO.	PART NUMBER	DESCRIPTION	QTY.
1	50704	Screw - BHSCS, M5x0.8x16, SS	2
2	50728	Screw - High Low, #8-18 x .50, PPH, 410 SS	4
3	50892	Assembly - PC, Dual Coded Receiver	1
4	51366	Cable Hanger - Richco CH-2-01	2
5	51805	Screw - BHSC, M8x1.25x20, Class 10.9, Hex, Black, Patched	2
6	58272	Service Kit - StrideLock Push Button Assembly, Transitt	1
7	58419	Service Kit - Neck Cover Assembly	1
8	58420	Service Kit - Tablet Mount with Bezel	1
9	58422	Service Kit - Console Weldment	1
10	58431	Service Kit - Grab Ring	1
11	58449	Service Kit - Console Back Cover	1
12	58451	Service Kit - Console Name Plate	1
13	58940	Service Kit - Power Enable Switch	1
14	59416	Screw - SHSC, M6 x 14mm, Hex	3
15	59417	Screw - BHSC, M5 x 12 mm, SS Hex	5
16	59418	Screw - Hi-Lo #6 x 0.25 in, Phillips	4
17	59442	Screw - Plastite, #10-1.75 IN, Hi-Lo, Pan Phillips	1
18	59446	M4x8 Hex Screw 18-8	2
19	59885	PCA - Heart Rate	1



**SEE DWG. NO. 59561 FOR ALL CABLES**

CABLE NO.	PART NUMBER	DESCRIPTION	QTY.
11	58935	Service Kit - Heart Rate Sensor Cable	1
12	58934	Service Kit - Name Plate Cable	1
13	58933	Service Kit - Power Enable Switch Cable	1
A	58944	Service Kit - USB Extender Cable	1
C	58931	Service Kit - Console USB C Cable	1
M	58949	Service Kit - Thumbprint Reader Cable	1



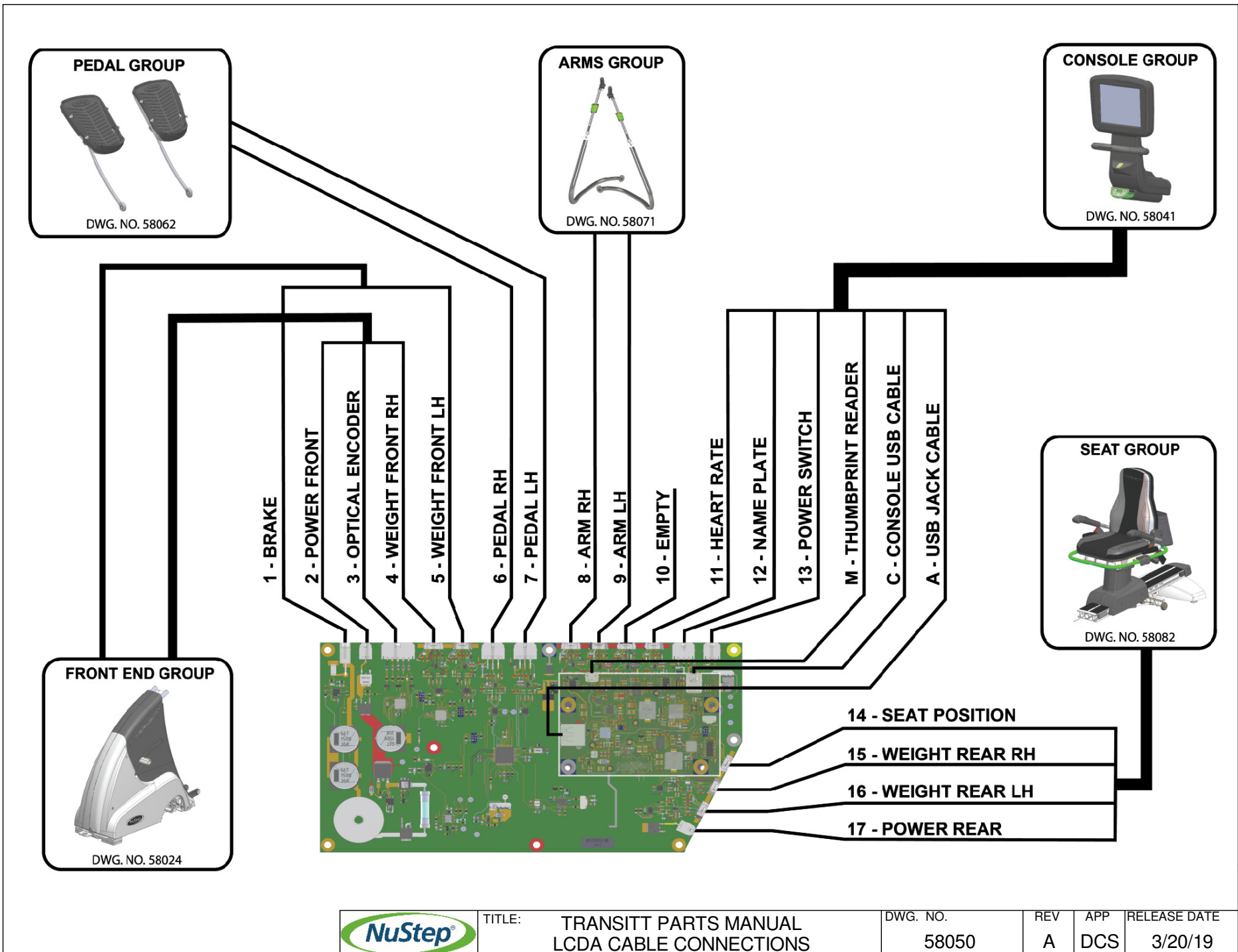
TITLE: TRANSITT PARTS MANUAL  
CONSOLE CABLES

DWG. NO. 58041

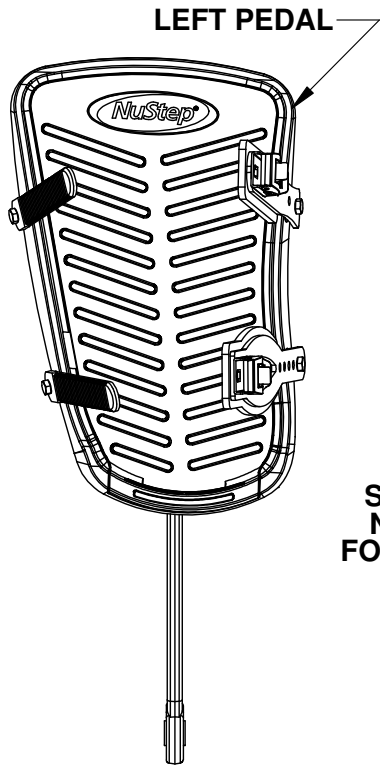
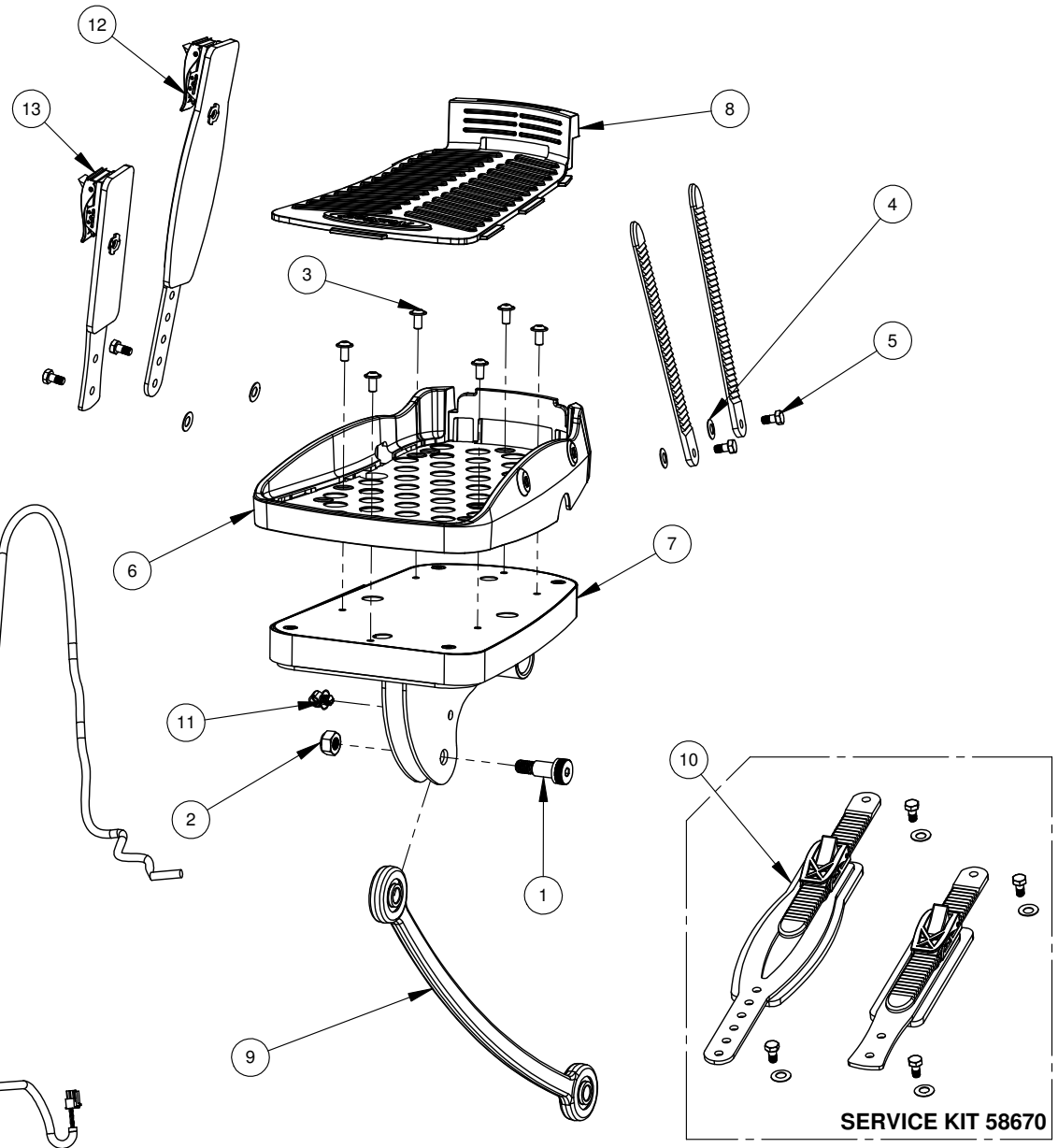
REV A

APP DCS

RELEASE DATE 3/20/19



ITEM NO.	PART NUMBER	DESCRIPTION	QTY.
1	50061	Screw, Shoulder - SHSS, 12MM x 20MM, Class 12.9, Patched	1
2	50417	Nut - Locking, Nylon Insert, M10x1.5, DIN 985, Zinc Plated	1
3	50934	Screw - FBHCS, M6x1.0px12mm, 10.9, Black Zinc, Patched	6
4	51188	Washer - Disc Spring, Gardner Spring #MB0625-022	4
5	51455	Bolt - Hex, T5 Foot Strap	4
6	58610	Service Kit - Molded Foot Pedal LH	1
7	58620	Service Kit - Pedal Assembly LH	1
8	58640	Service Kit - Foot Pedal Treads, LH	1
9	58652	Service Kit - Pedal Connecting Link	1
10	58670	Service Kit - Foot Secure System	1
11	59646	Strain Relief Clip	1
12	59668	Assembly - Ankle Strap	1
13	59669	Assembly - Toe Strap	1



SEE DWG.  
NO. 59561  
FOR CABLE



TITLE: TRANSITT PARTS MANUAL  
FOOT PEDAL GROUP

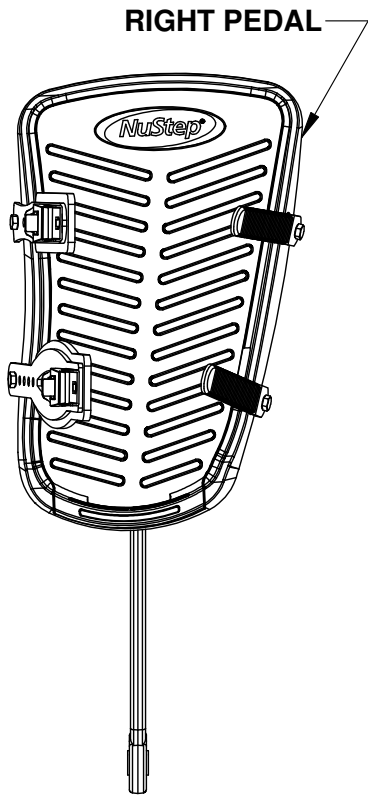
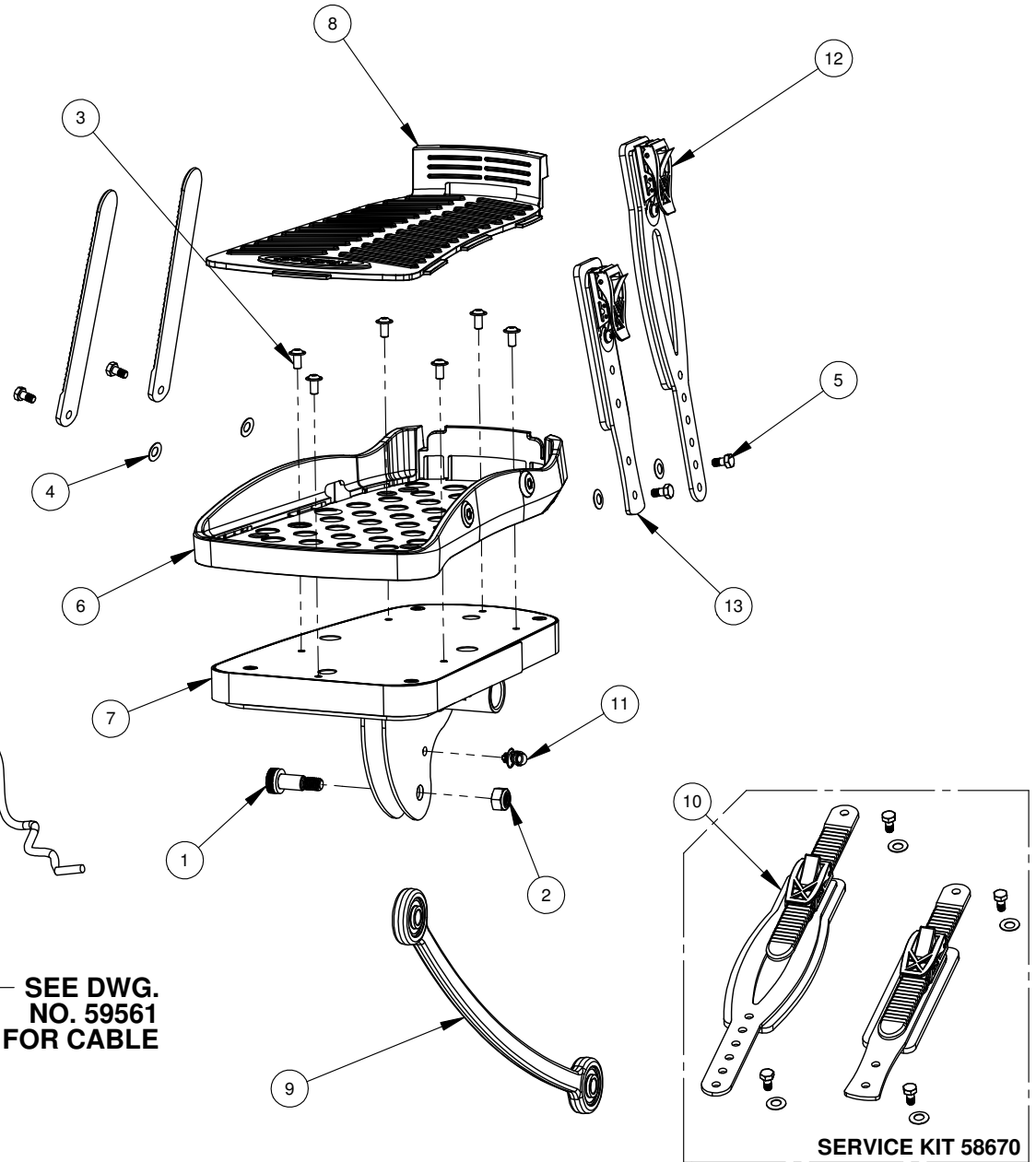
DWG. NO.  
58060

REV  
A

APP  
DCS

RELEASE DATE  
3/18/19

ITEM NO.	PART NUMBER	DESCRIPTION	QTY.
1	50061	Screw, Shoulder - SHSS, 12MM x 20MM, Class 12.9, Patched	1
2	50417	Nut - Locking, Nylon Insert, M10x1.5, DIN 985, Zinc Plated	1
3	50934	Screw - FBHCS, M6x1.0px12mm, 10.9, Black Zinc, Patched	6
4	51188	Washer - Disc Spring, Gardner Spring #MB0625-022	4
5	51455	Bolt - Hex, T5 Foot Strap	4
6	58611	Service Kit - Molded Foot Pedal RH	1
7	58621	Service Kit - Pedal Assembly RH	1
8	58641	Service Kit - Footpedal Treads, RH	1
9	58652	Service Kit - Pedal Connecting Link	1
10	58670	Service Kit - Foot Secure System	1
11	59646	Strain Relief Clip	1
12	59668	Assembly - Ankle Strap	1
13	59669	Assembly - Toe Strap	1



TITLE: TRANSITT PARTS MANUAL  
FOOT PEDAL GROUP

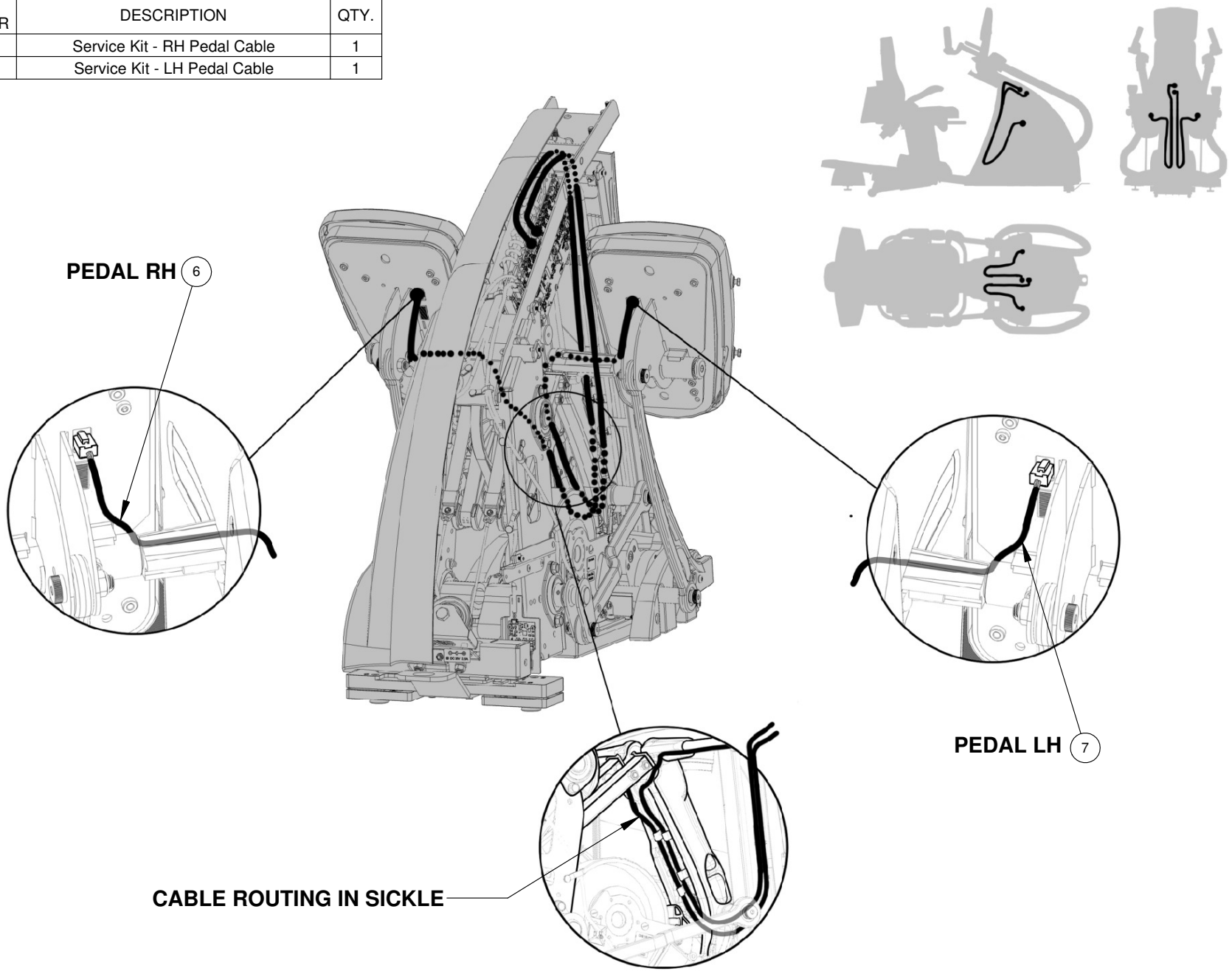
DWG. NO.  
58061

REV  
A

APP  
DCS

RELEASE DATE  
3/19/19

CABLE NO.	PART NUMBER	DESCRIPTION	QTY.
6	58914	Service Kit - RH Pedal Cable	1
7	58913	Service Kit - LH Pedal Cable	1



TITLE: TRANSITT PARTS MANUAL  
PEDAL CABLES

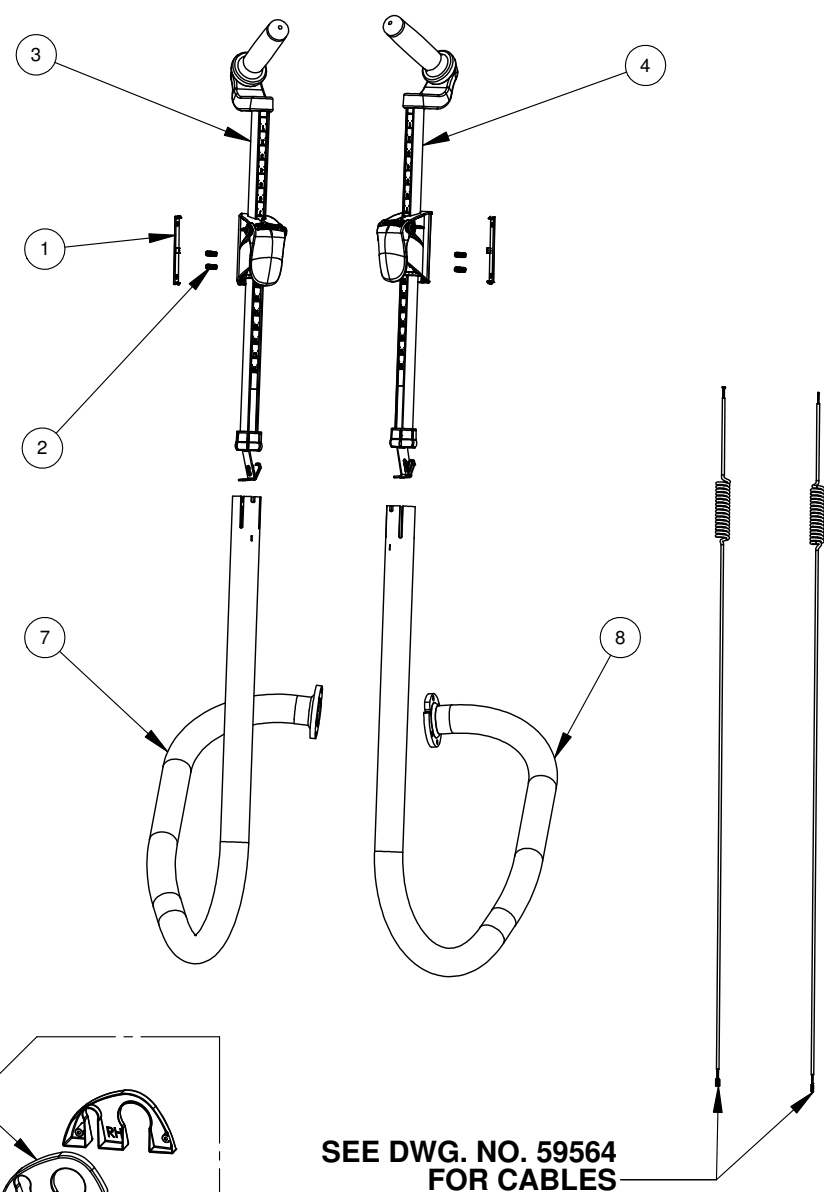
DWG. NO.  
58062

REV  
A

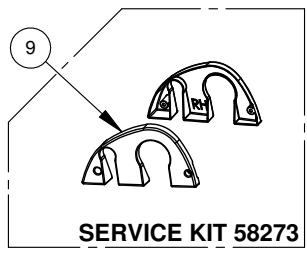
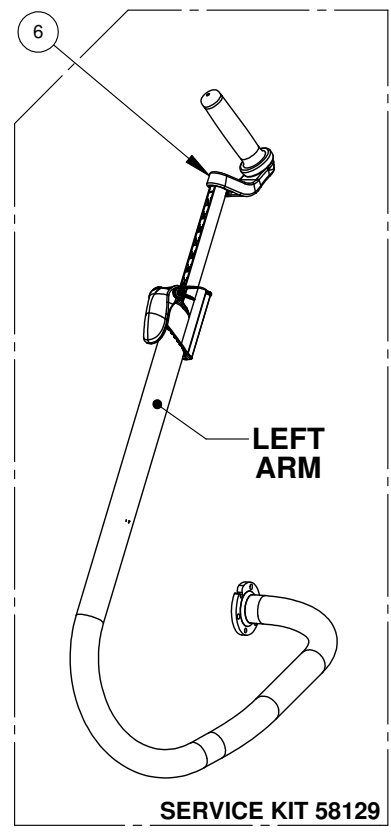
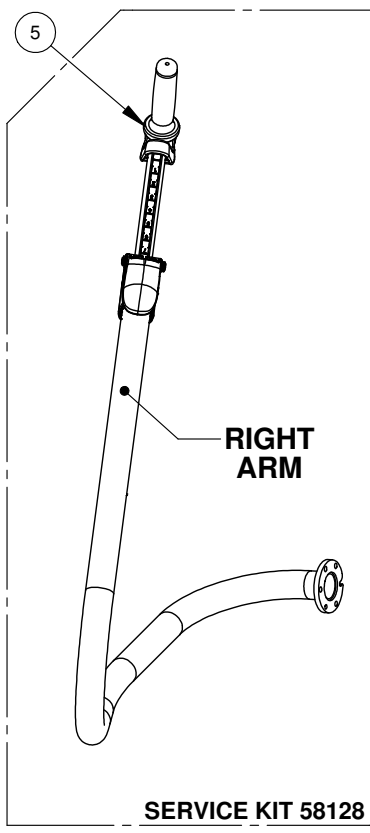
APP  
DCS

RELEASE DATE  
3/20/19

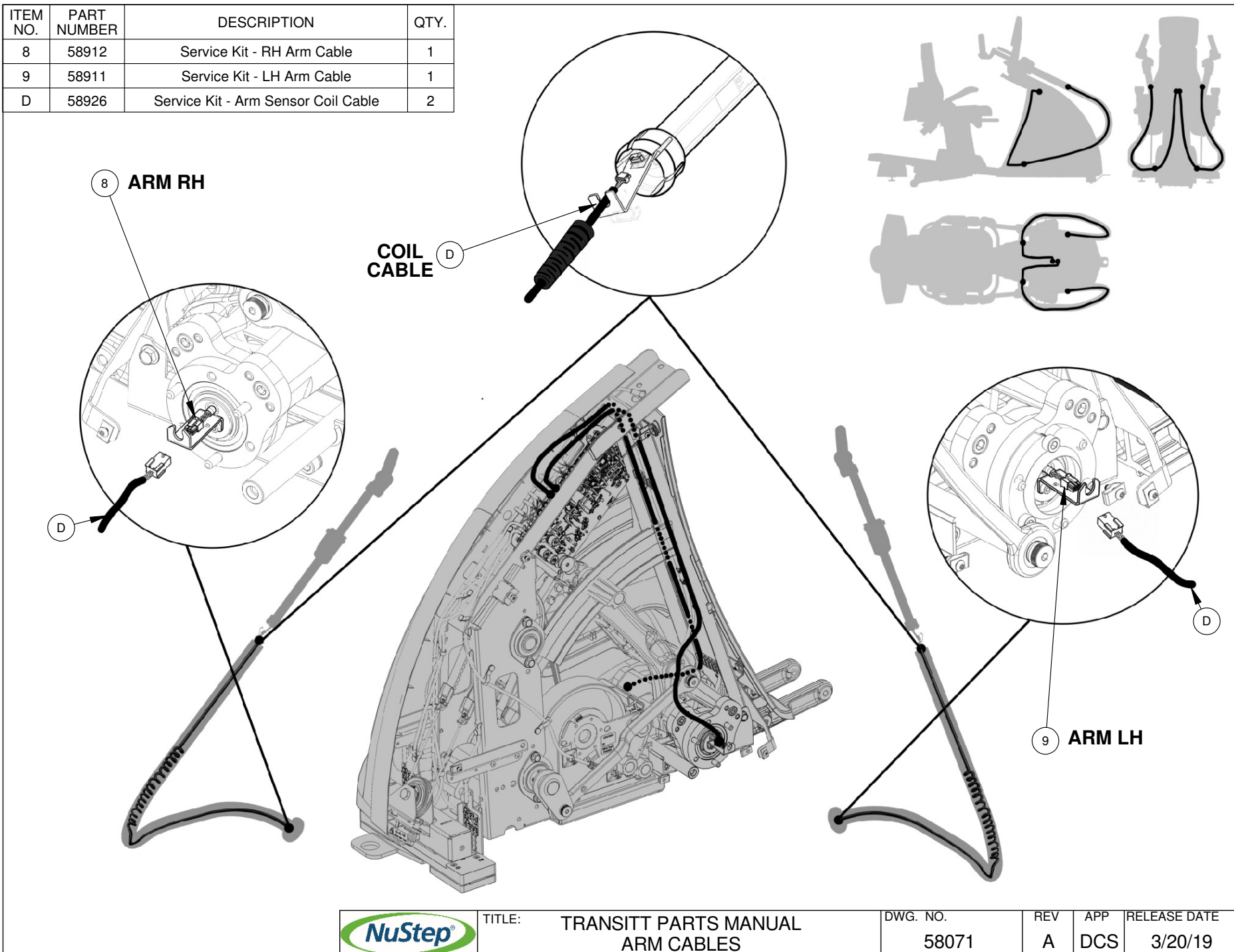
ITEM NO.	PART NUMBER	DESCRIPTION	QTY.
1	50051	Cover - Armlock	2
2	50180	Set Screw - M8x1.25px20, Flat Pt.,Hex, Black, Patched	4
3	58124	Service Kit - Upper Arm Transitt RH	1
4	58125	Service Kit - Upper Arm Transitt LH	1
5	58128	Service Kit - Arm Transitt Assembly RH	1
6	58129	Service Kit - Arm Transitt Assembly LH	1
7	58145	Service Kit - Arm Weldment Transitt RH	1
8	58146	Service Kit - Arm Weldment Transitt LH	1
9	58273	Service Kit - Arm Flange Covers - Transitt	1



SEE DWG. NO. 59564  
FOR CABLES



ITEM NO.	PART NUMBER	DESCRIPTION	QTY.
8	58912	Service Kit - RH Arm Cable	1
9	58911	Service Kit - LH Arm Cable	1
D	58926	Service Kit - Arm Sensor Coil Cable	2



TITLE: TRANSITT PARTS MANUAL  
ARM CABLES

DWG. NO.  
58071

REV  
A

APP  
DCS

RELEASE DATE  
3/20/19







NuStep, LLC  
5111 Venture Drive, Suite 1  
Ann Arbor, MI 48108  
U.S.A.  
(800) 322-4434  
(734) 769-4400  
support@nustep.com  
www.nustep.com

The information in this manual is the most current at the time of printing. Due to our commitment toward continuous improvement, specifications and descriptions are subject to change without notice. No part of this manual may be reproduced or transmitted in any form or by any means, electronic or mechanical, for any purpose without the express written permission of NuStep, LLC. © Copyright March 2019 by NuStep, LLC.

NuStep® and Transforming Lives® are registered trademarks of NuStep, LLC.

Manual PN 59772, Rev A